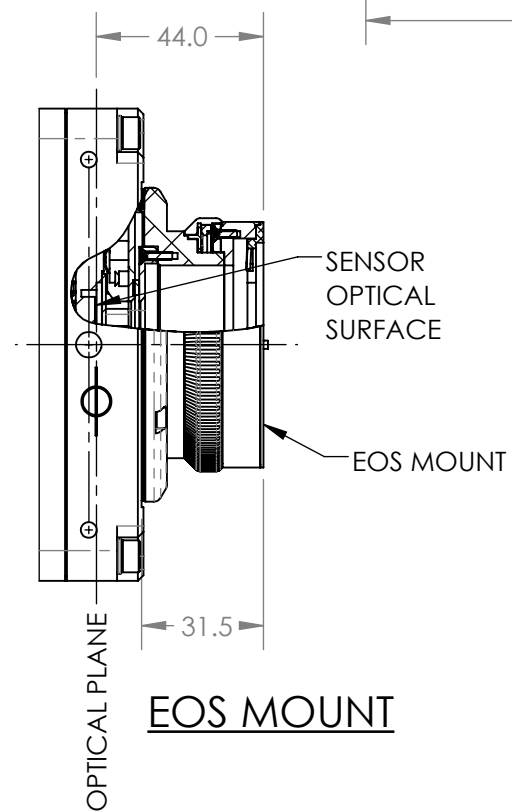
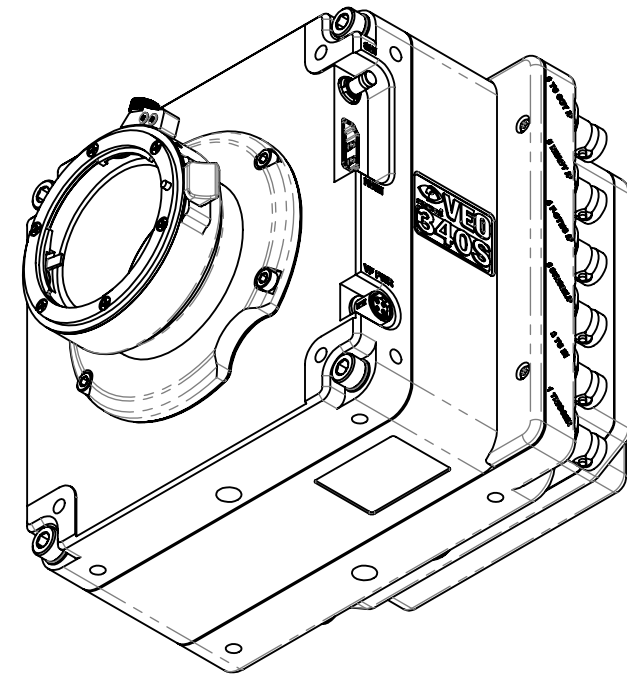
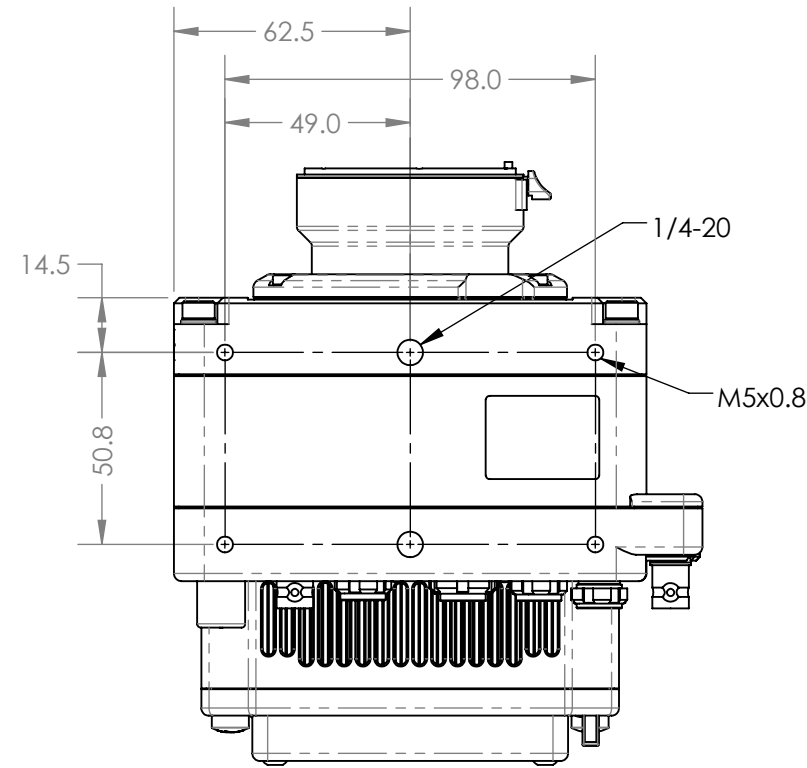
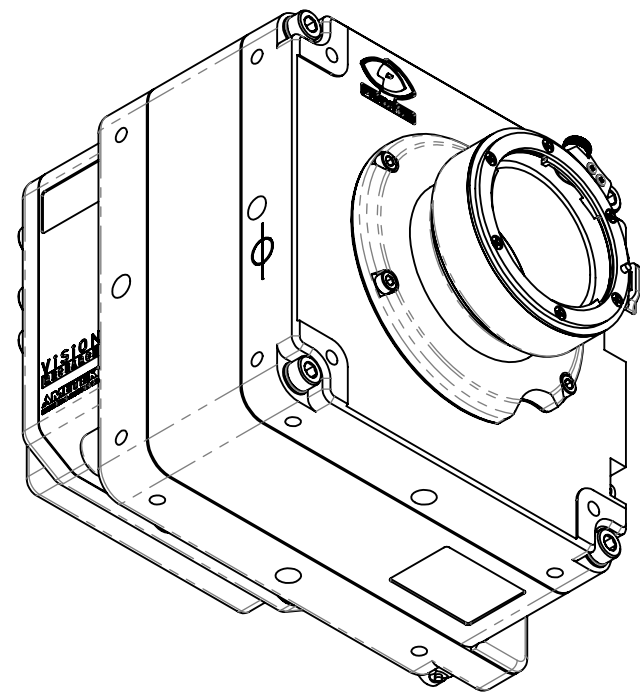
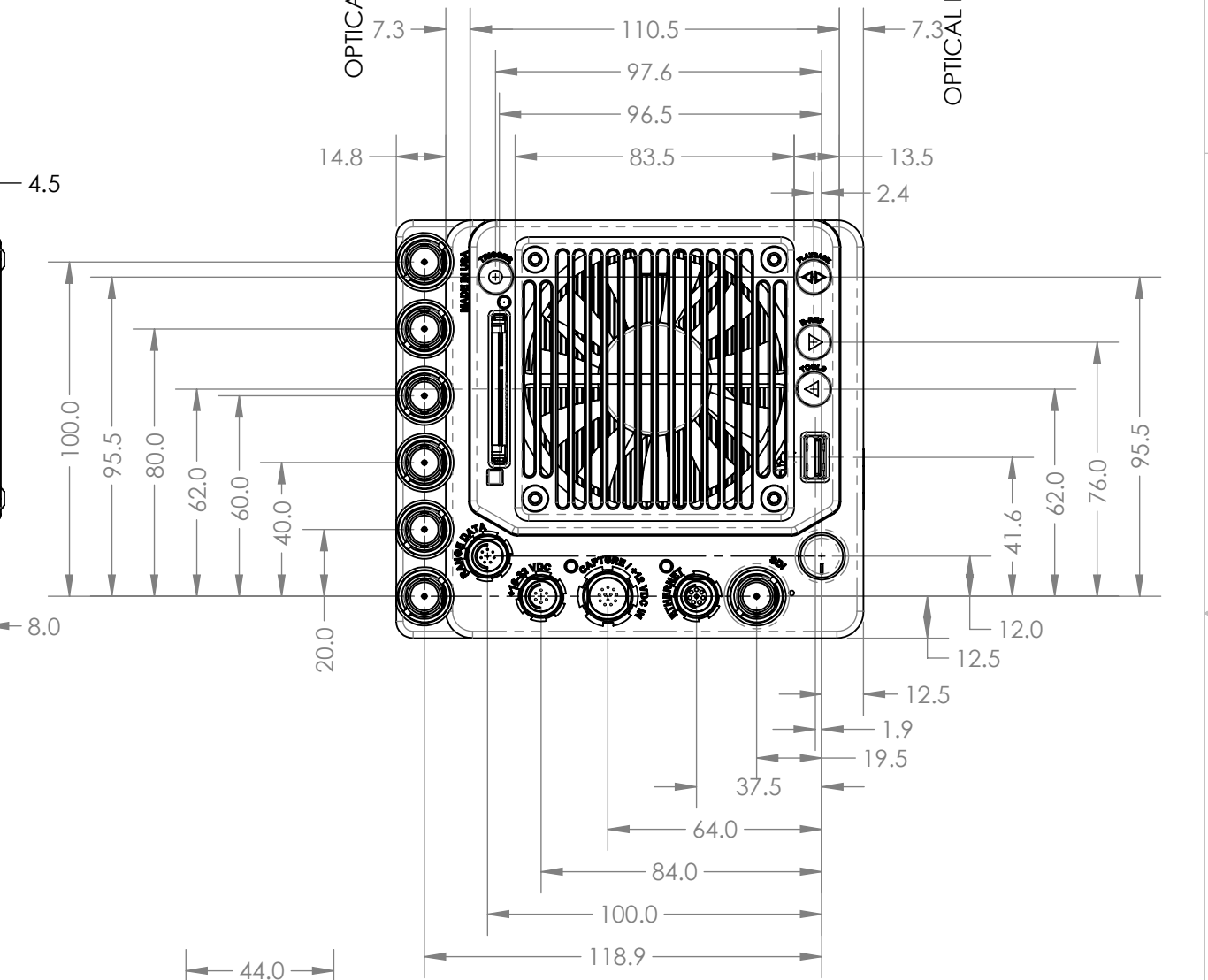
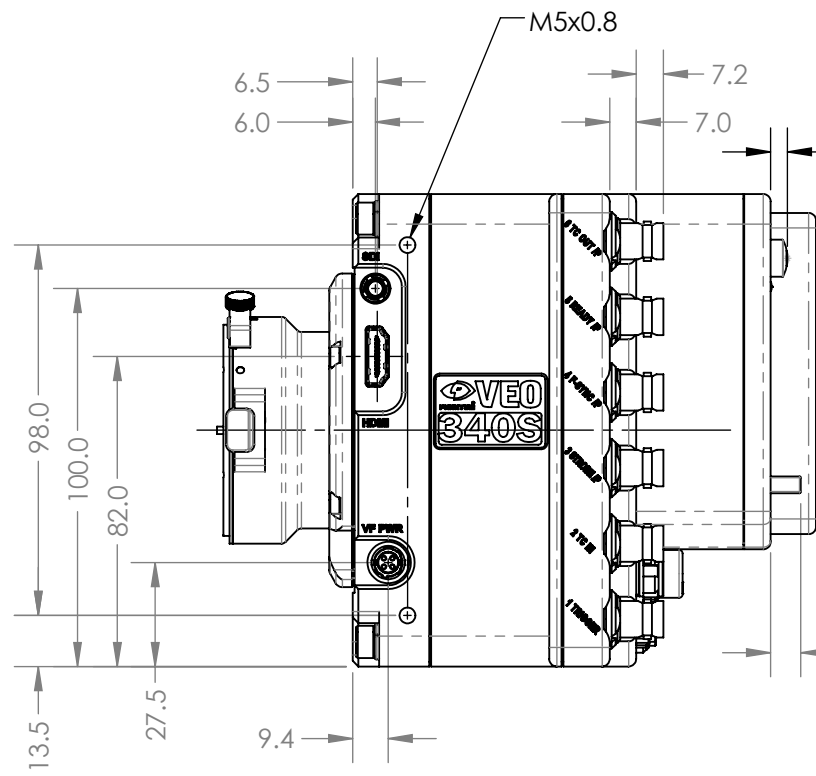
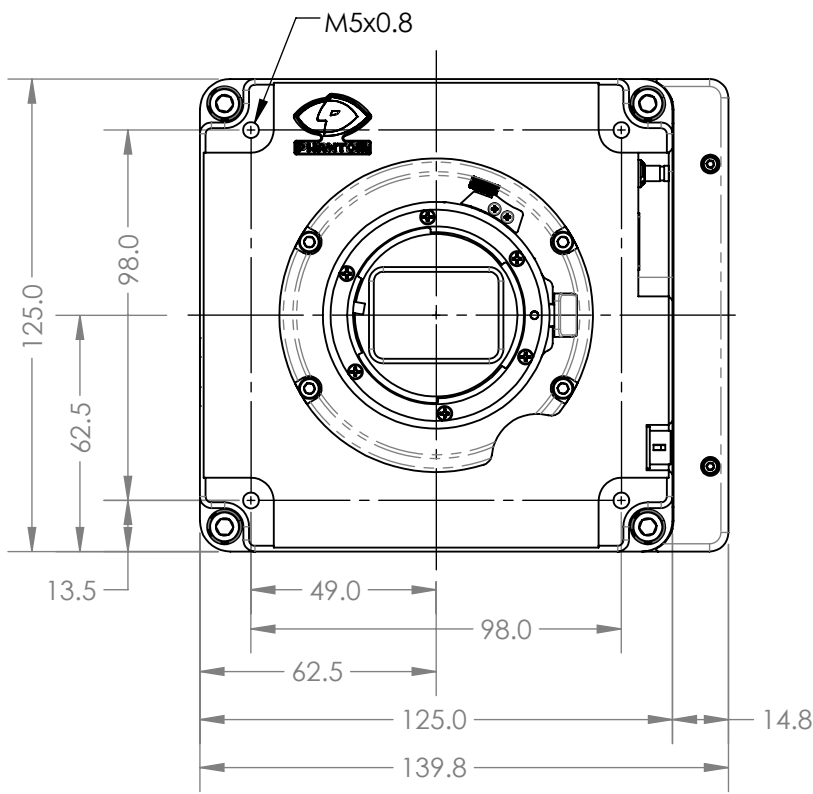
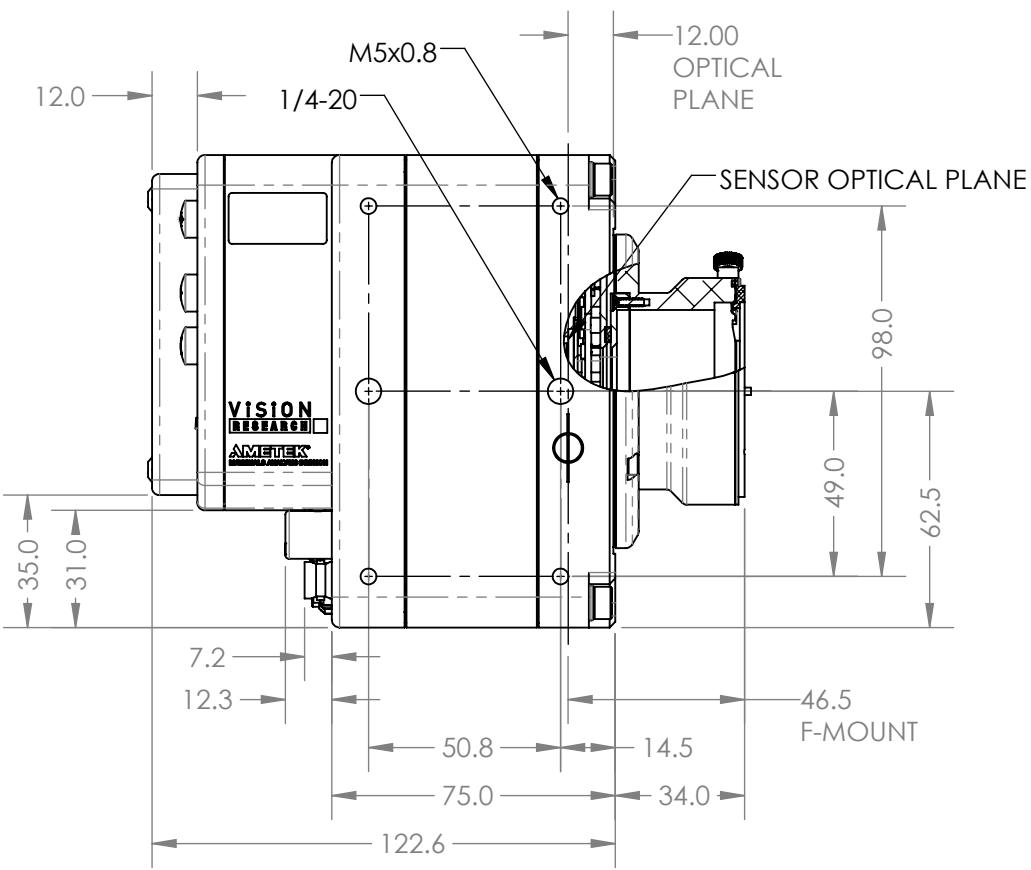
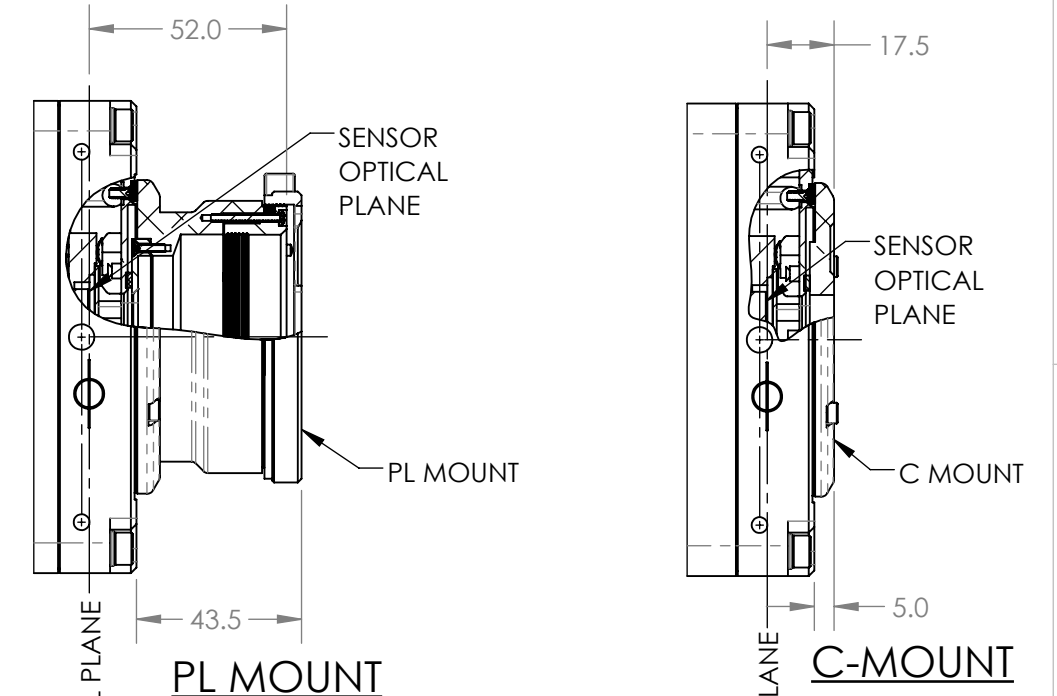
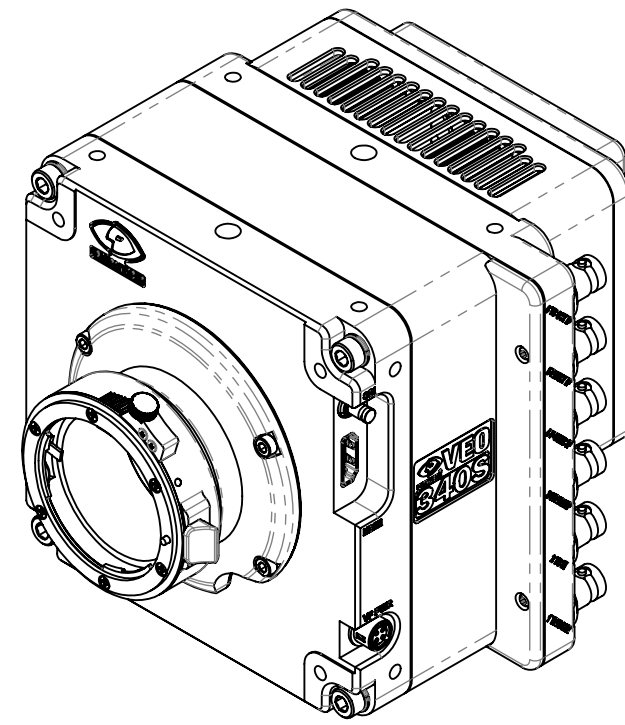
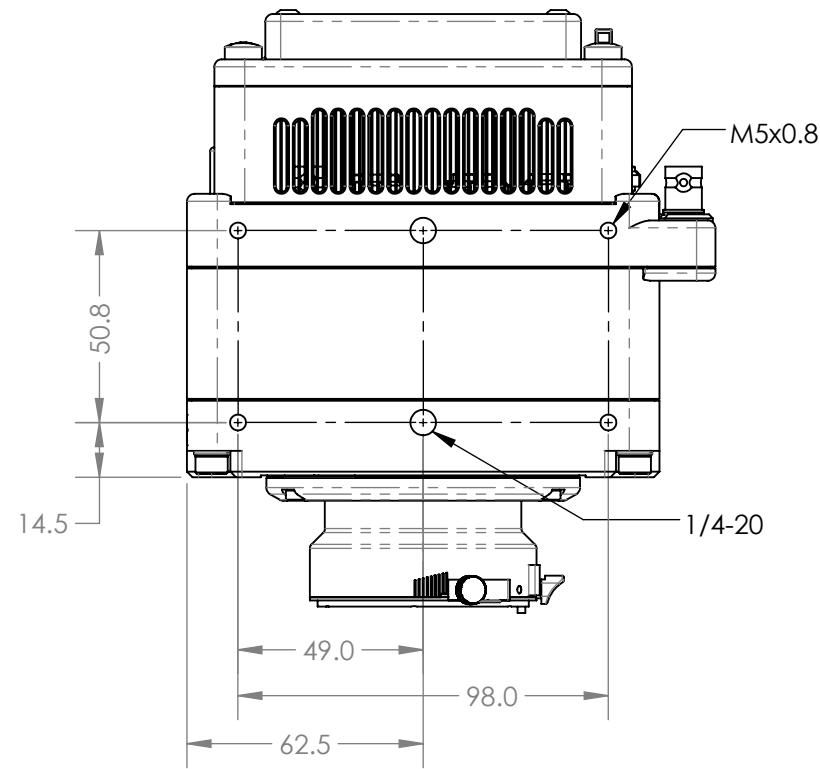
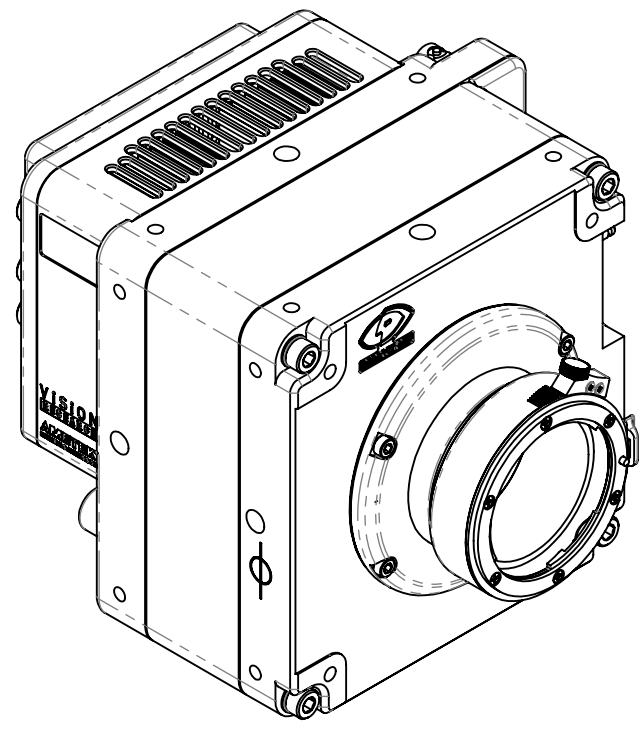


REVISIONS HISTORY			
REV.	DESCRIPTION	DRN BY	APP'D BY
0	INITIAL RELEASE	B.E.	5/24/16



**PROPRIETARY AND CONFIDENTIAL**  
 THE INFORMATION CONTAINED IN THIS DRAWING IS THE SOLE PROPERTY OF VISION RESEARCH. ANY REPRODUCTION IN PART OR AS A WHOLE WITHOUT THE WRITTEN PERMISSION OF VISION RESEARCH IS PROHIBITED.

UNLESS OTHERWISE SPECIFIED:	
DIMENSIONS ARE IN MM	
TOLERANCES:	
FRACTIONAL: ±1/64	
ANGULAR: MACH ±0.5	
ONE PLACE ±0.25	
TWO PLACE ±0.13	
INTERPRET GEOMETRIC TOLERANCING PER:	
MATERIAL:	
FINISH:	
NEXT ASSY USED ON:	
APPLICATION:	DO NOT SCALE DRAWING

NAME	DATE
B.E.	5/24/16
DRAWN	
CHECKED	
ENG APPR.	
MFG APPR.	
Q.A.	

**VISION RESEARCH**  
 100 Dey Road  
 Wayne, New Jersey 07470 USA  
 973-696-4500

**CUSTOMER DRAWING,**  
**VEO 340S 410S 640S 710S**

SIZE DWG. NO. REV  
**C** ZDOC-64109-CD-0002 **O**

SCALE 1:2 SHEET 1 OF 1