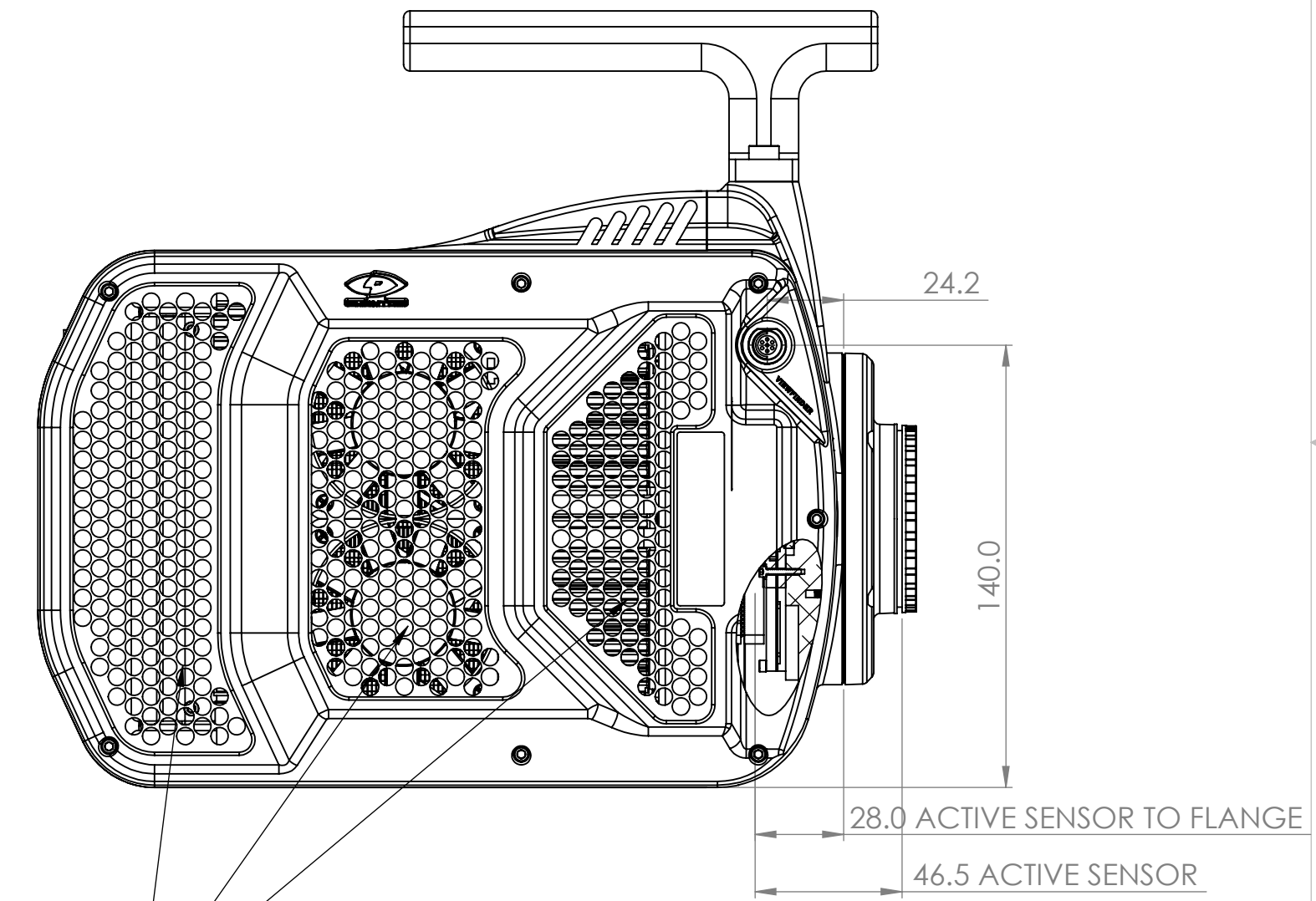
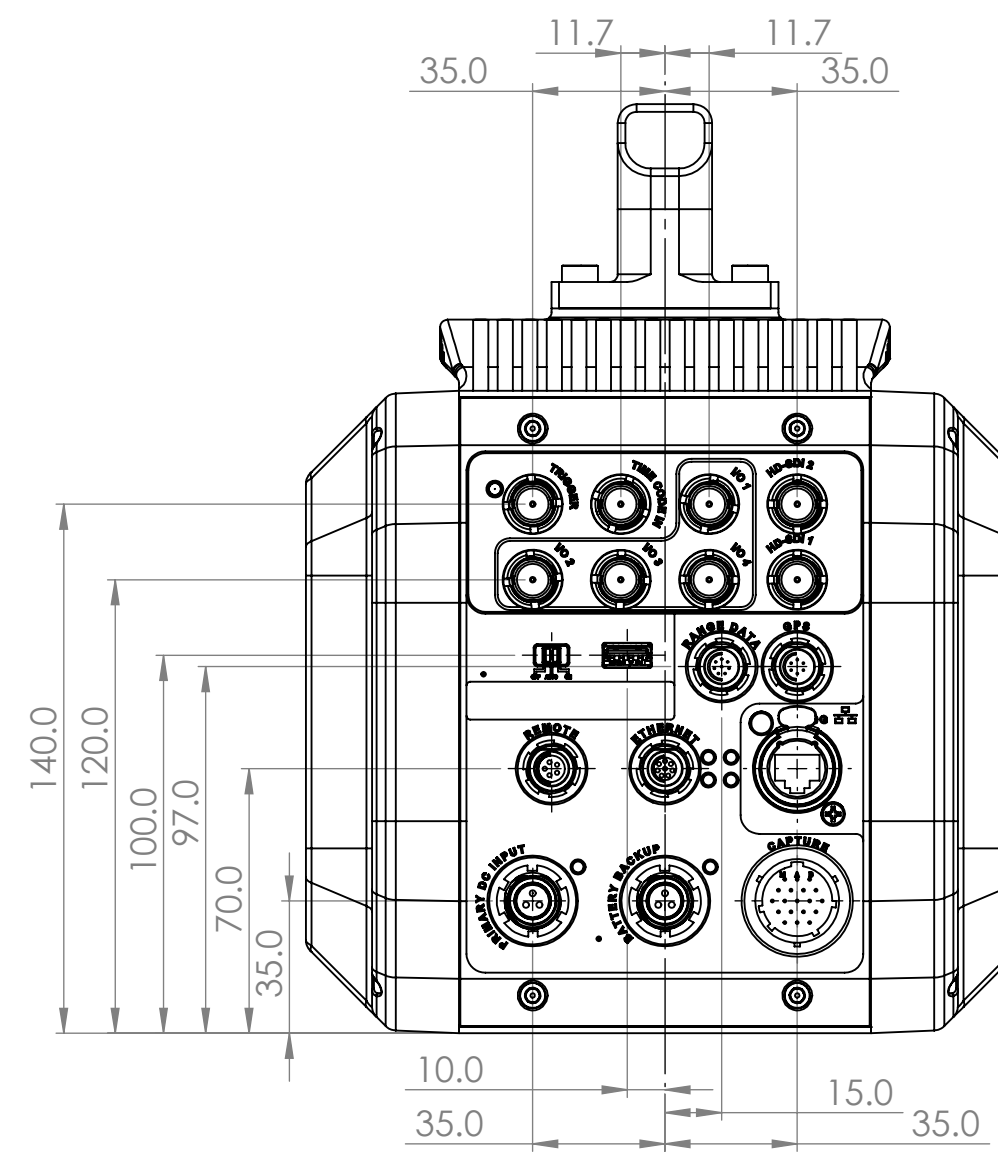
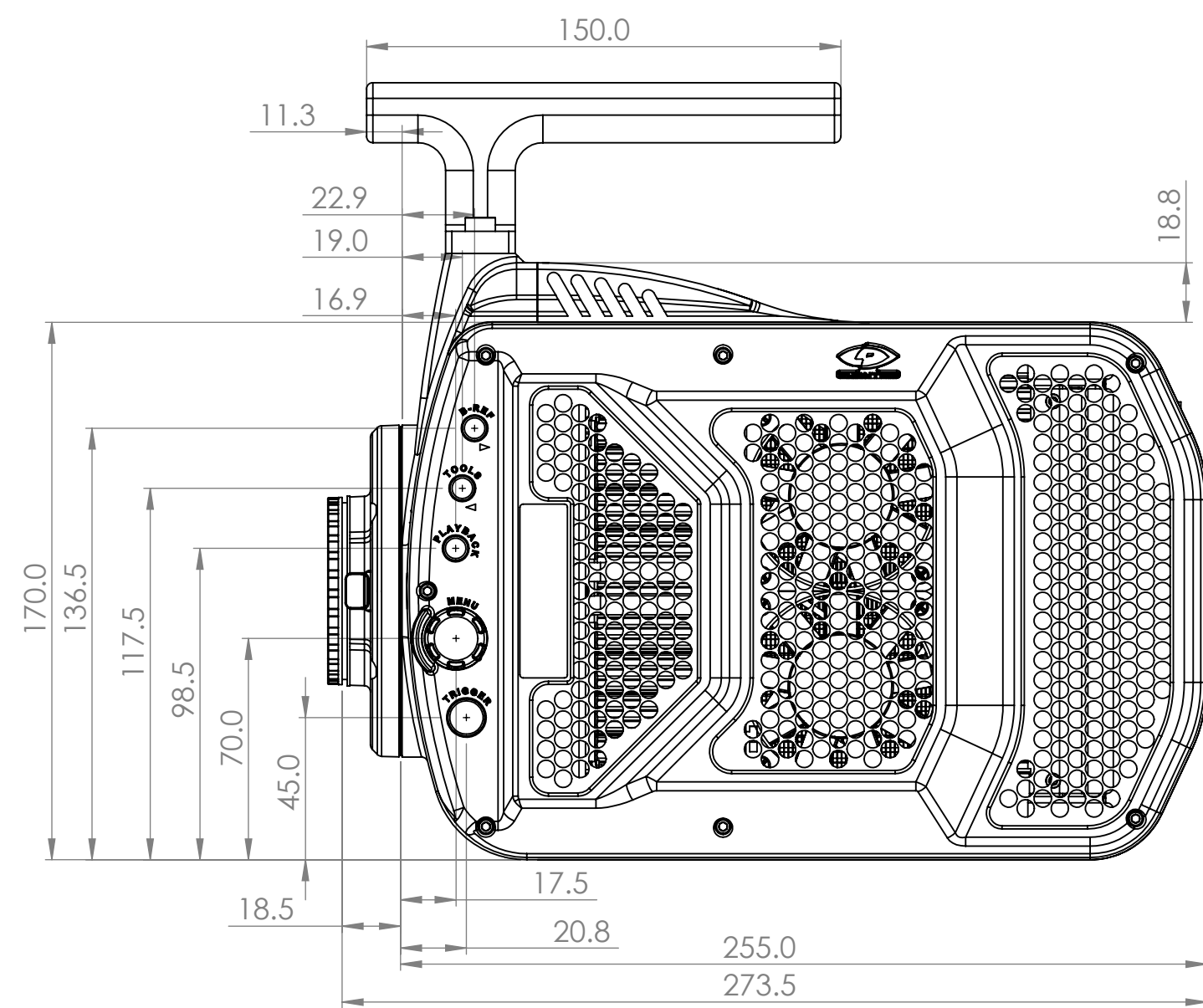
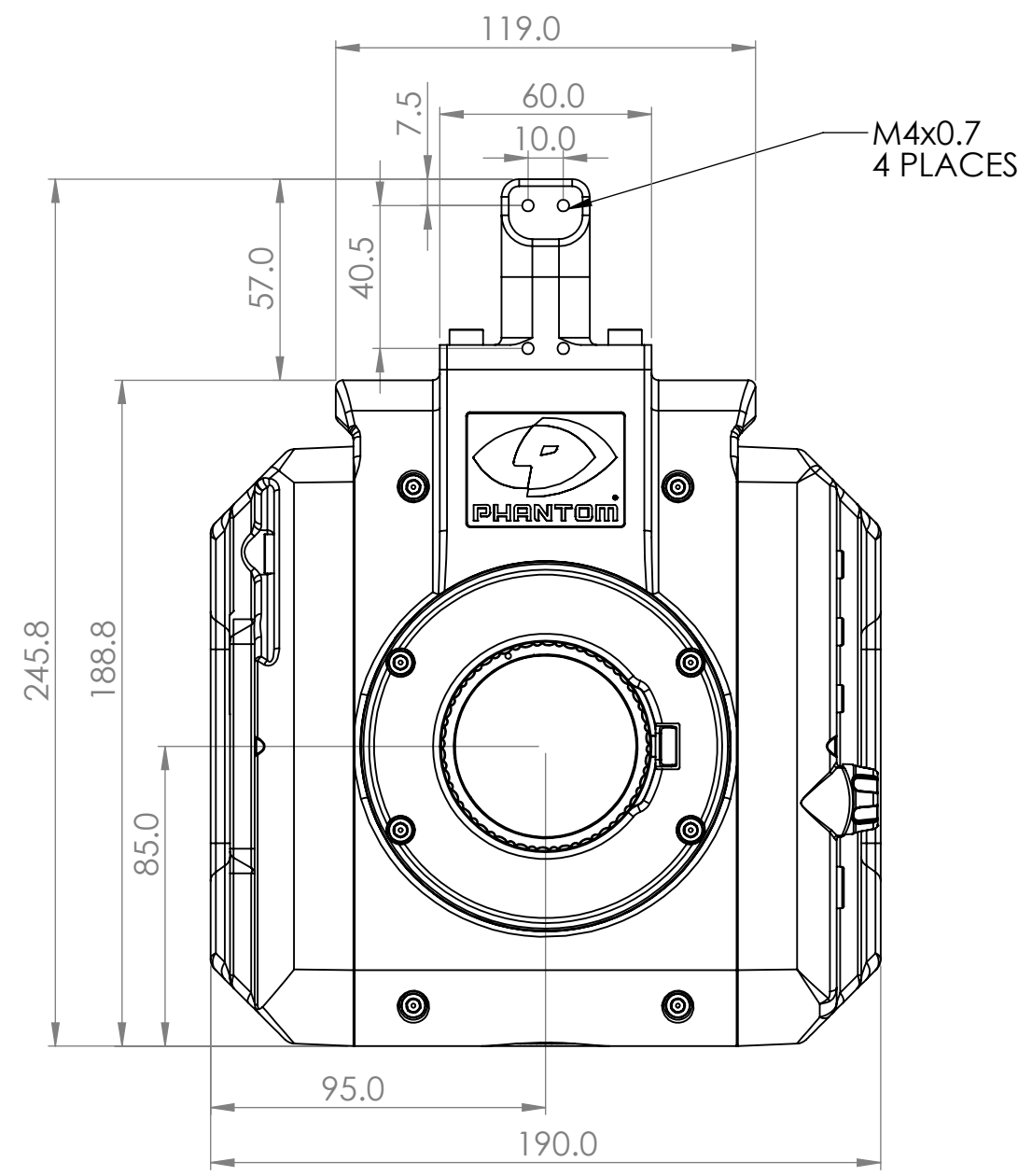
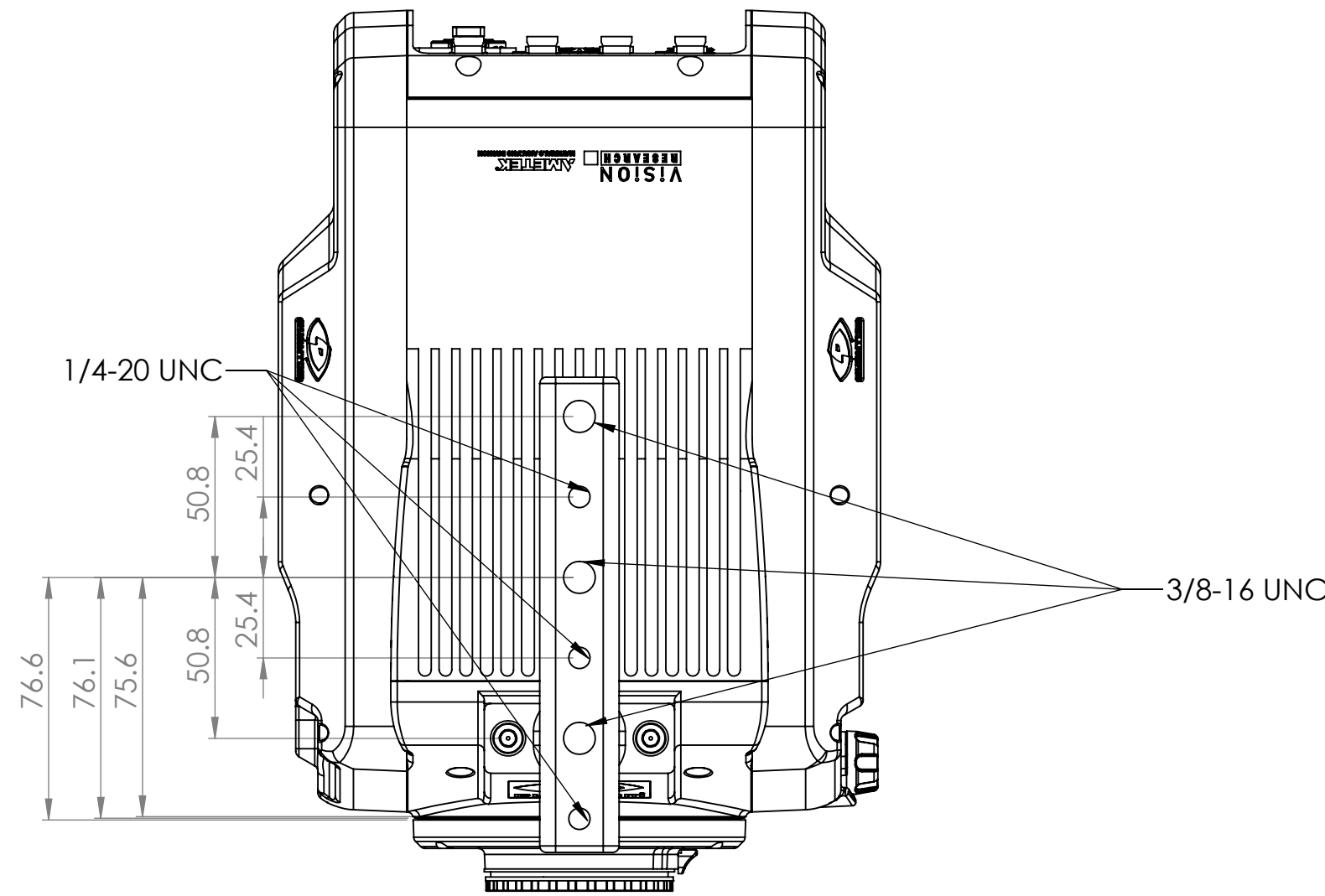
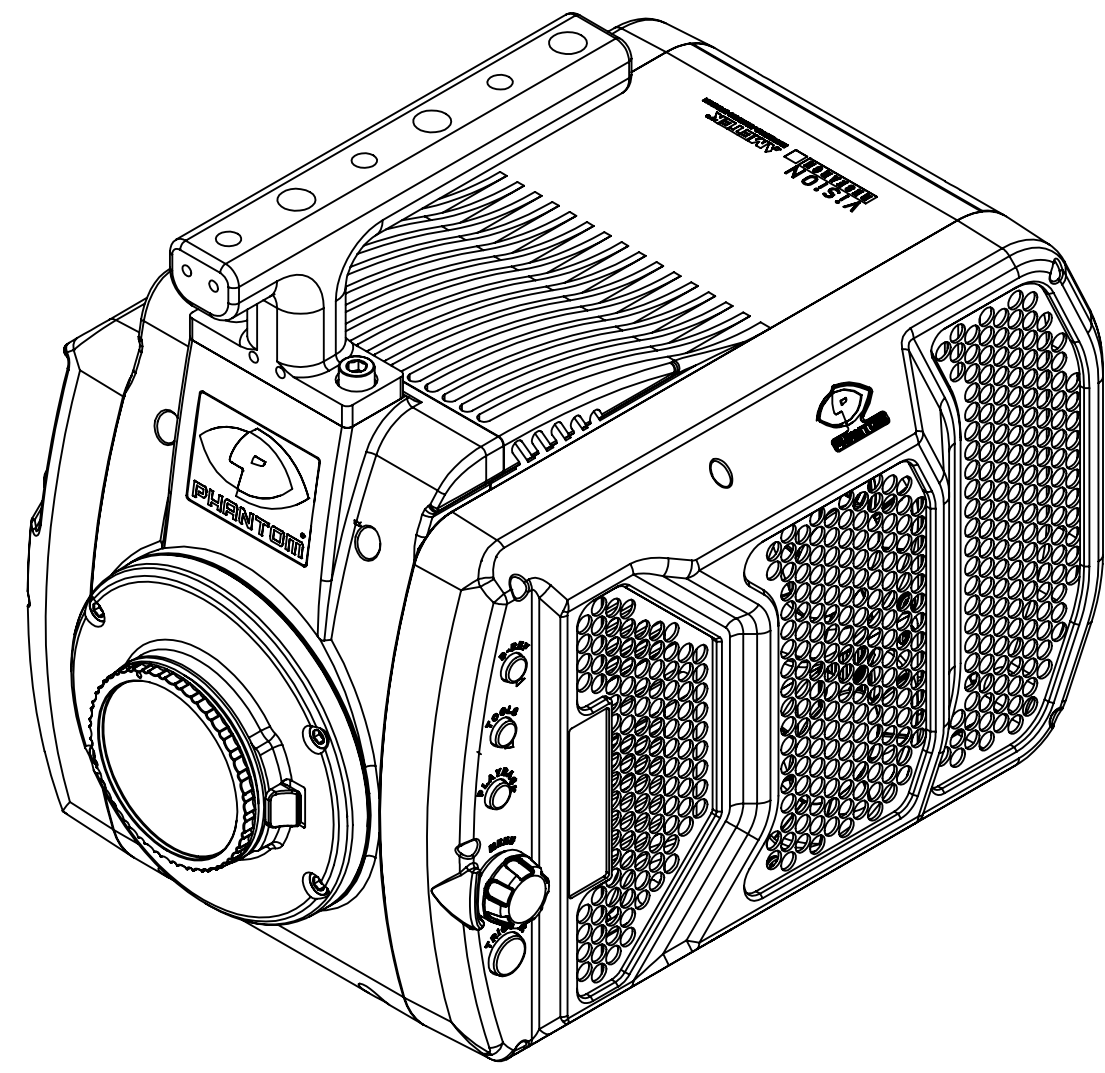
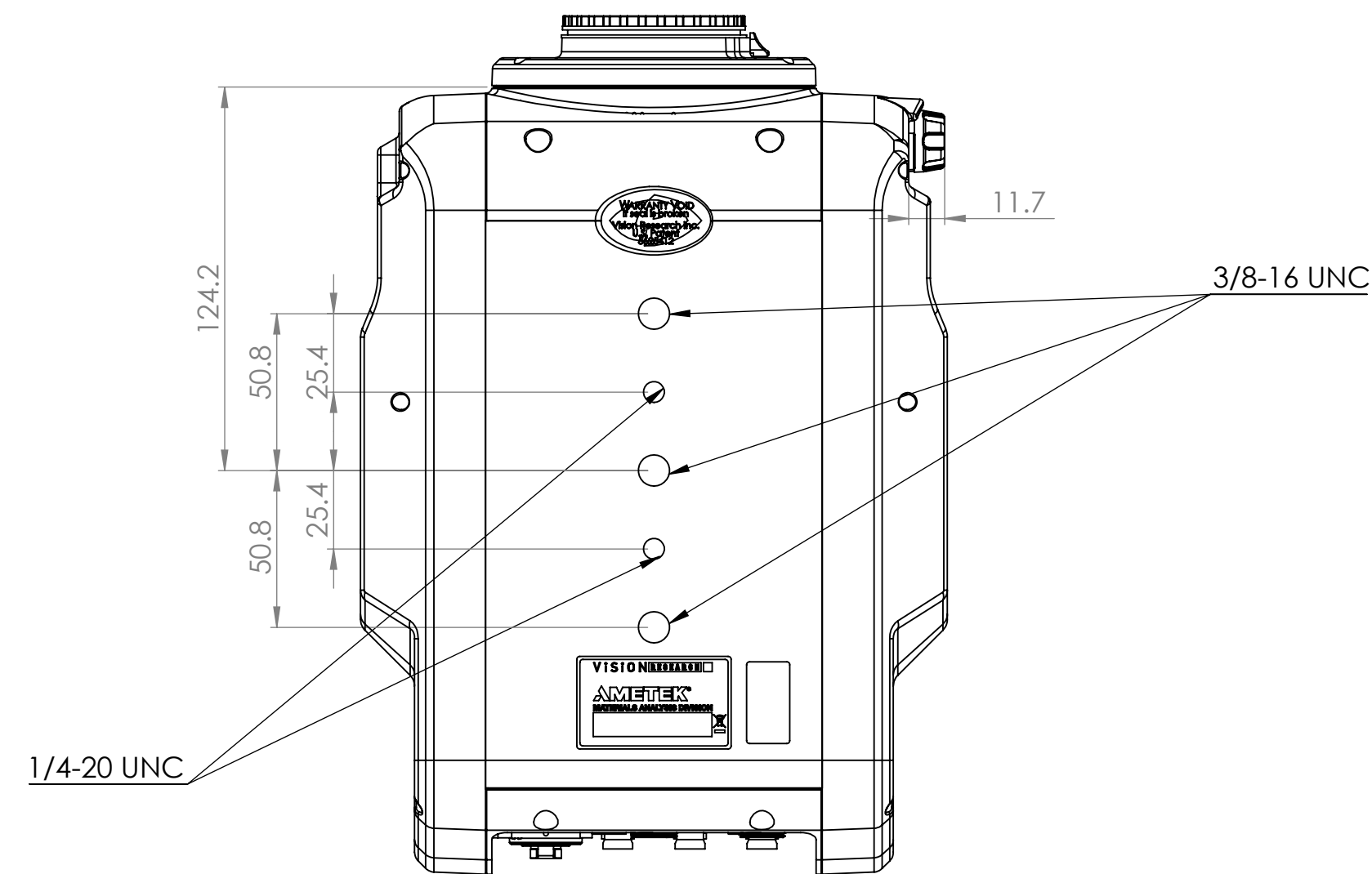


REVISIONS HISTORY			
REV.	DESCRIPTION	DRN BY	APP'D BY
0	INITIAL RELEASE	SW 1/29/18	



VENTILATION, DO NOT OBSTRUCT TYPICAL FAR SIDE.



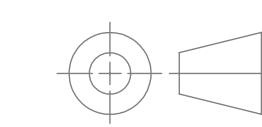
PROPRIETARY AND CONFIDENTIAL
 THE INFORMATION CONTAINED IN THIS DRAWING IS THE SOLE PROPERTY OF VISION RESEARCH. ANY REPRODUCTION IN PART OR AS A WHOLE WITHOUT THE WRITTEN PERMISSION OF VISION RESEARCH IS PROHIBITED.

UNLESS OTHERWISE SPECIFIED:
 DIMENSIONS ARE IN MM
 TOLERANCES:
 FRACTIONAL ±1/64
 ANGULAR: MACH±0.5
 ONE PLACE ±0.25
 TWO PLACE ±0.13

	NAME	DATE
DRAWN		
CHECKED		
ENG APPR.		
MFG APPR.		
Q.A.		

VISION RESEARCH
 100 Dey Road
 Wayne, New Jersey 07470 USA
 973-696-4500
 TITLE:
CUSTOMER DRAWING, Vxx40

NEXT ASSY	USED ON	FINISH
APPLICATION		DO NOT SCALE DRAWING



SIZE	DWG. NO.	REV
D	ZDOC-64108-CD-0002	0
SCALE 1:2	WEIGHT:	SHEET 1 OF 1