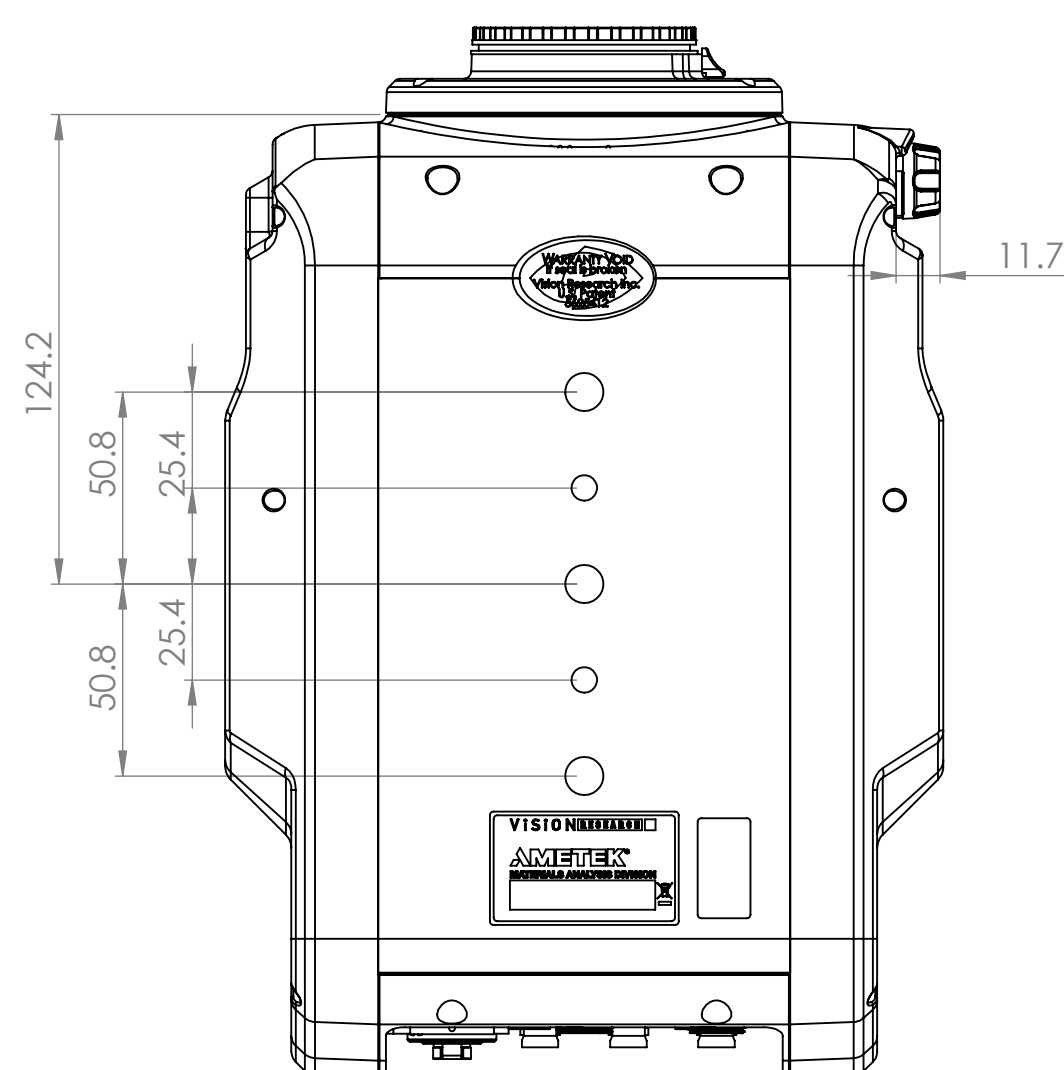
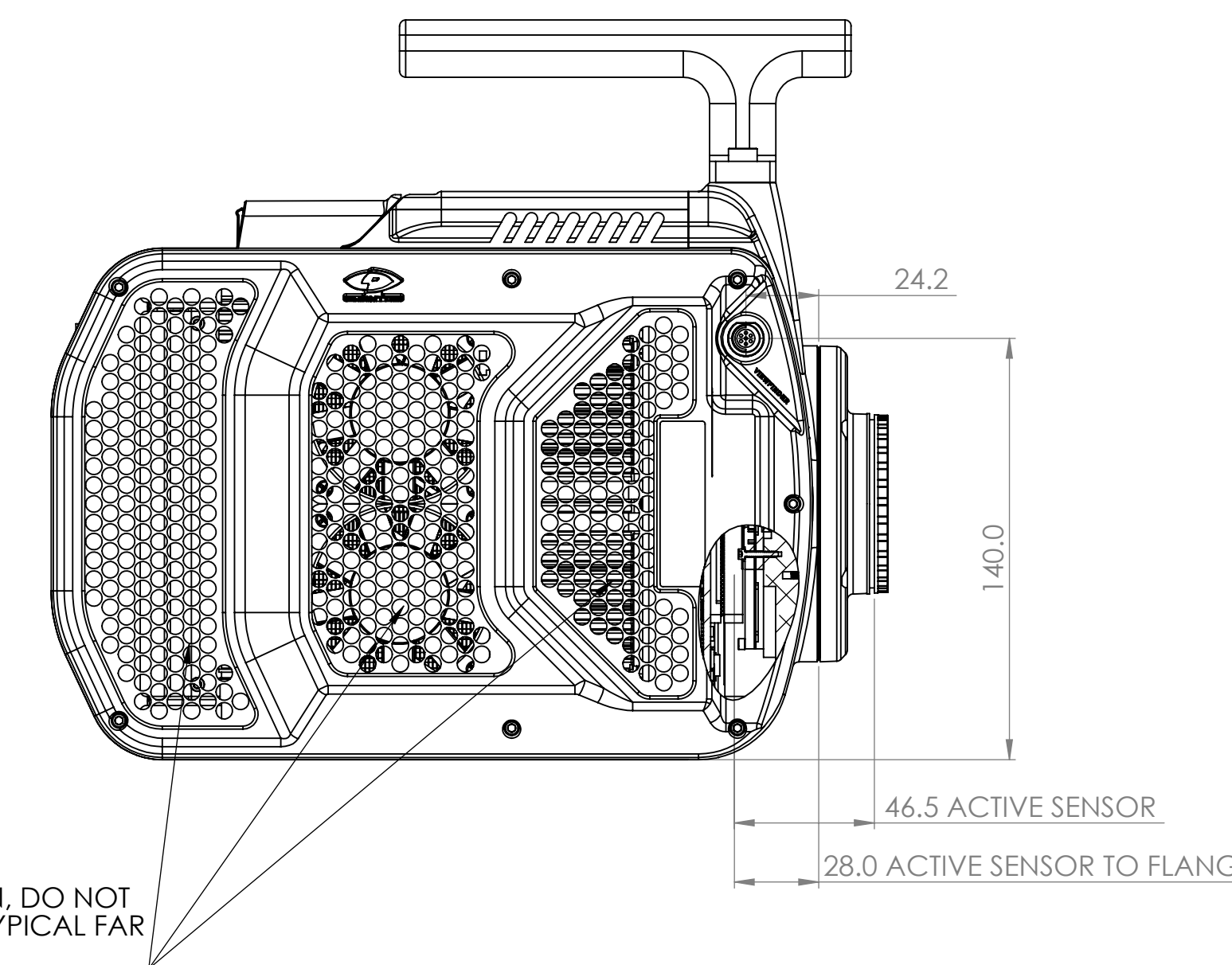
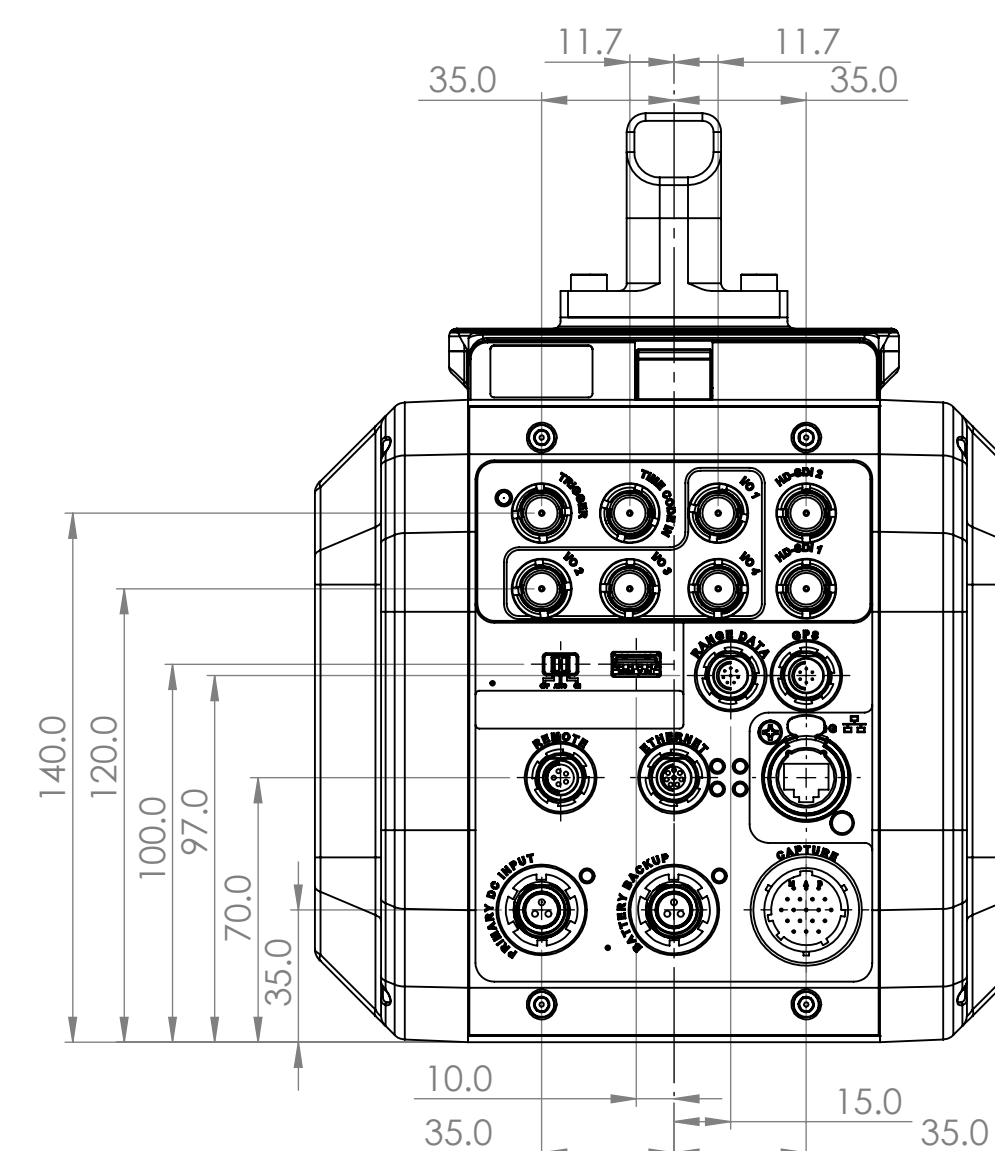
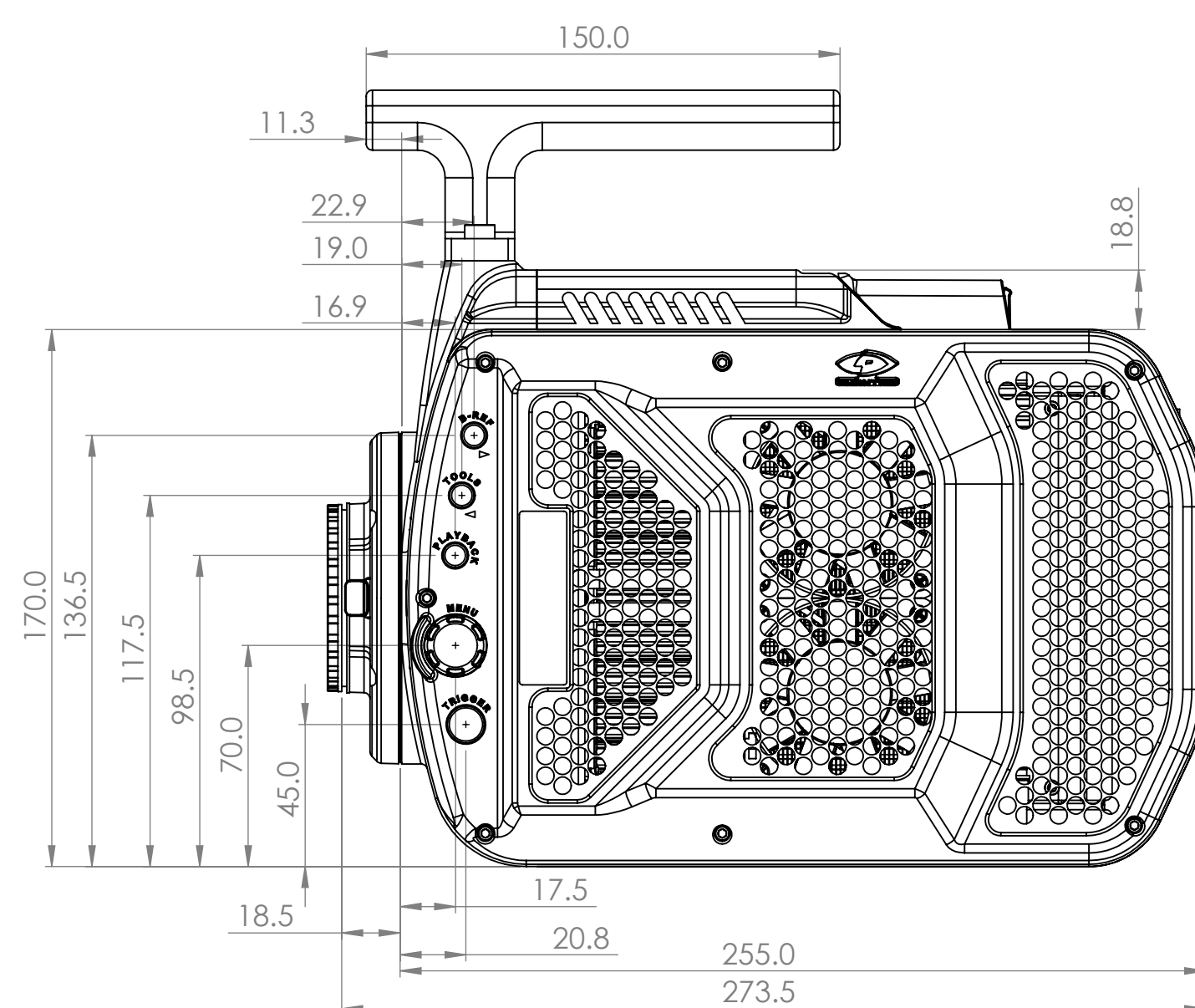
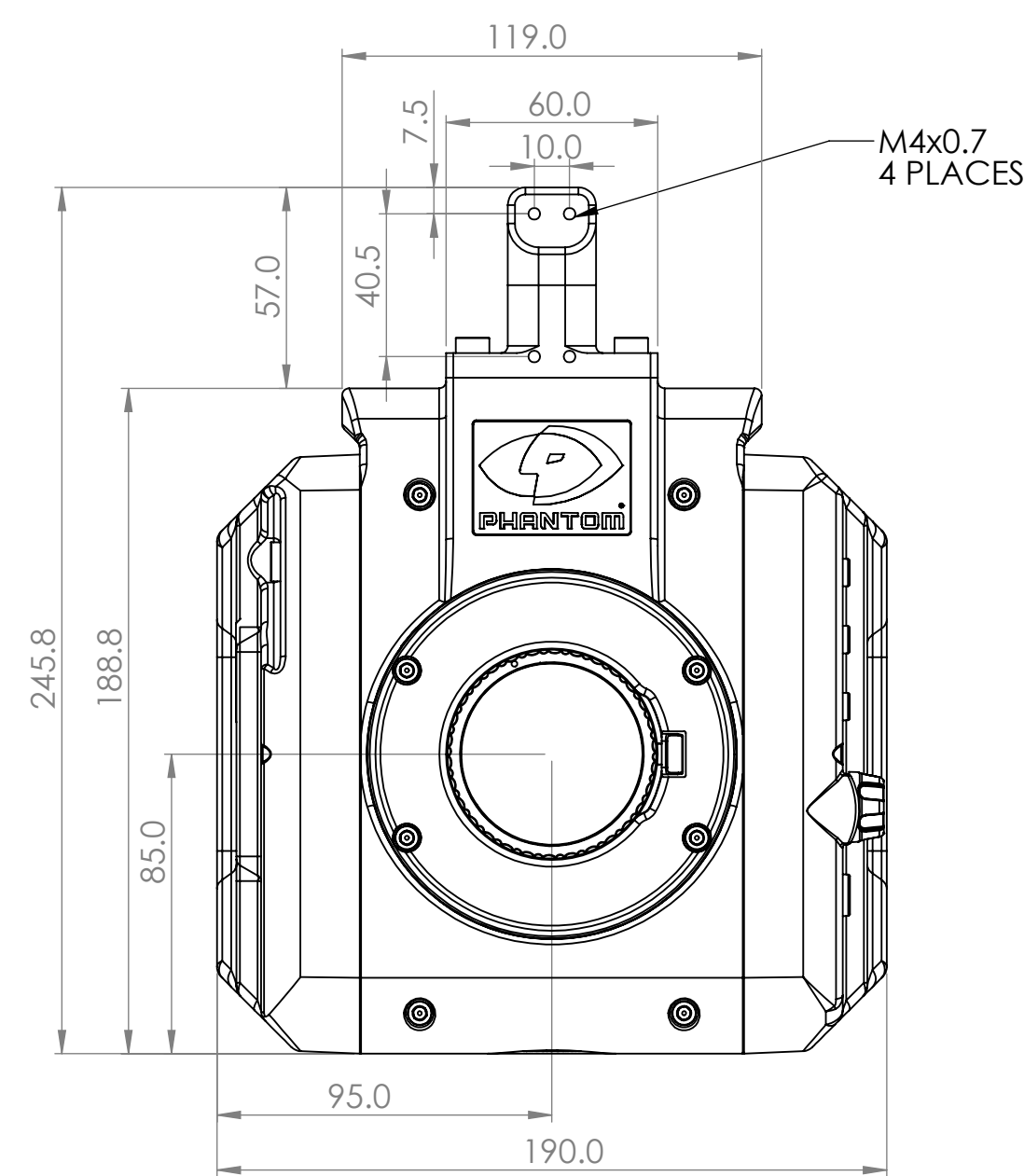
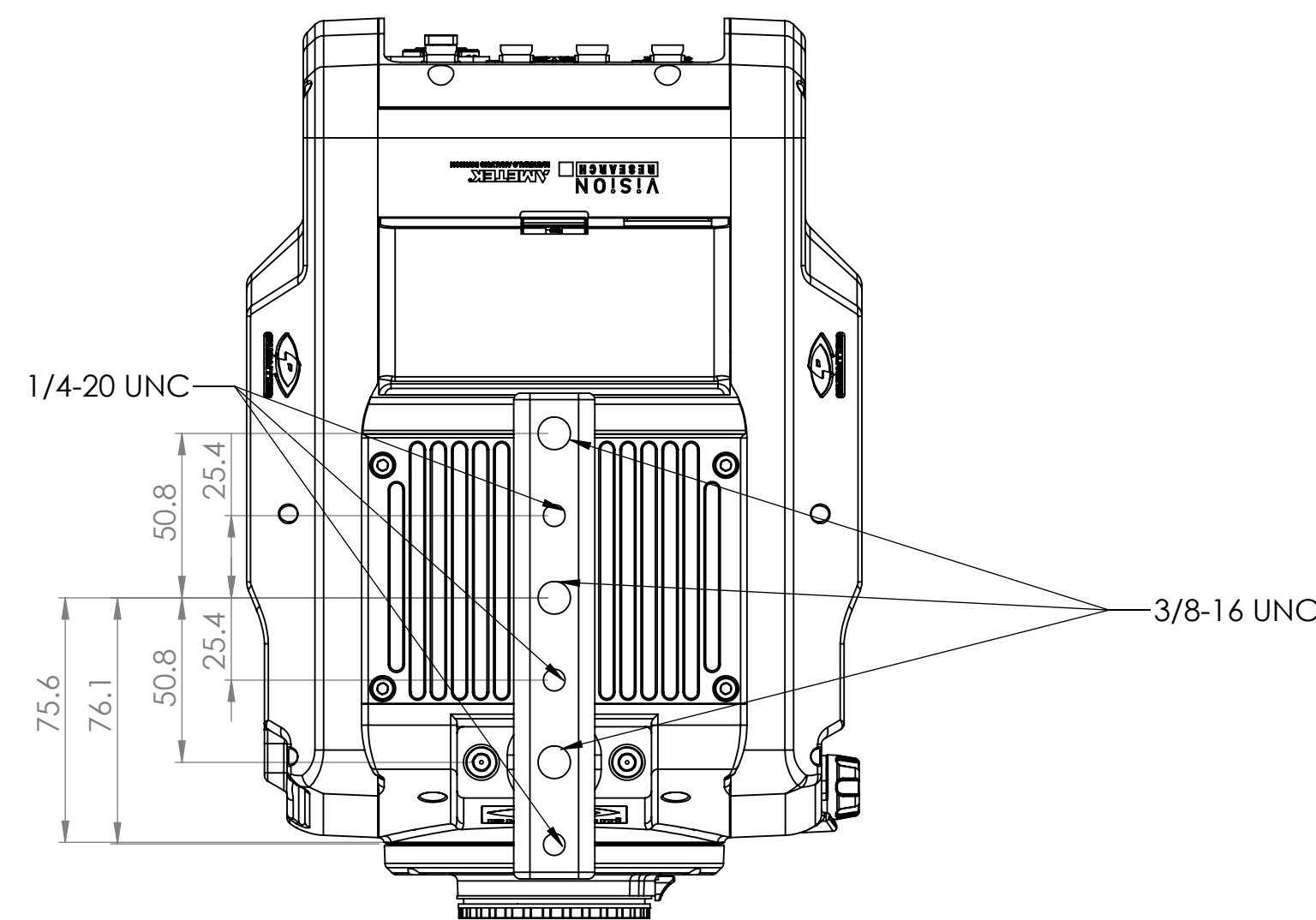
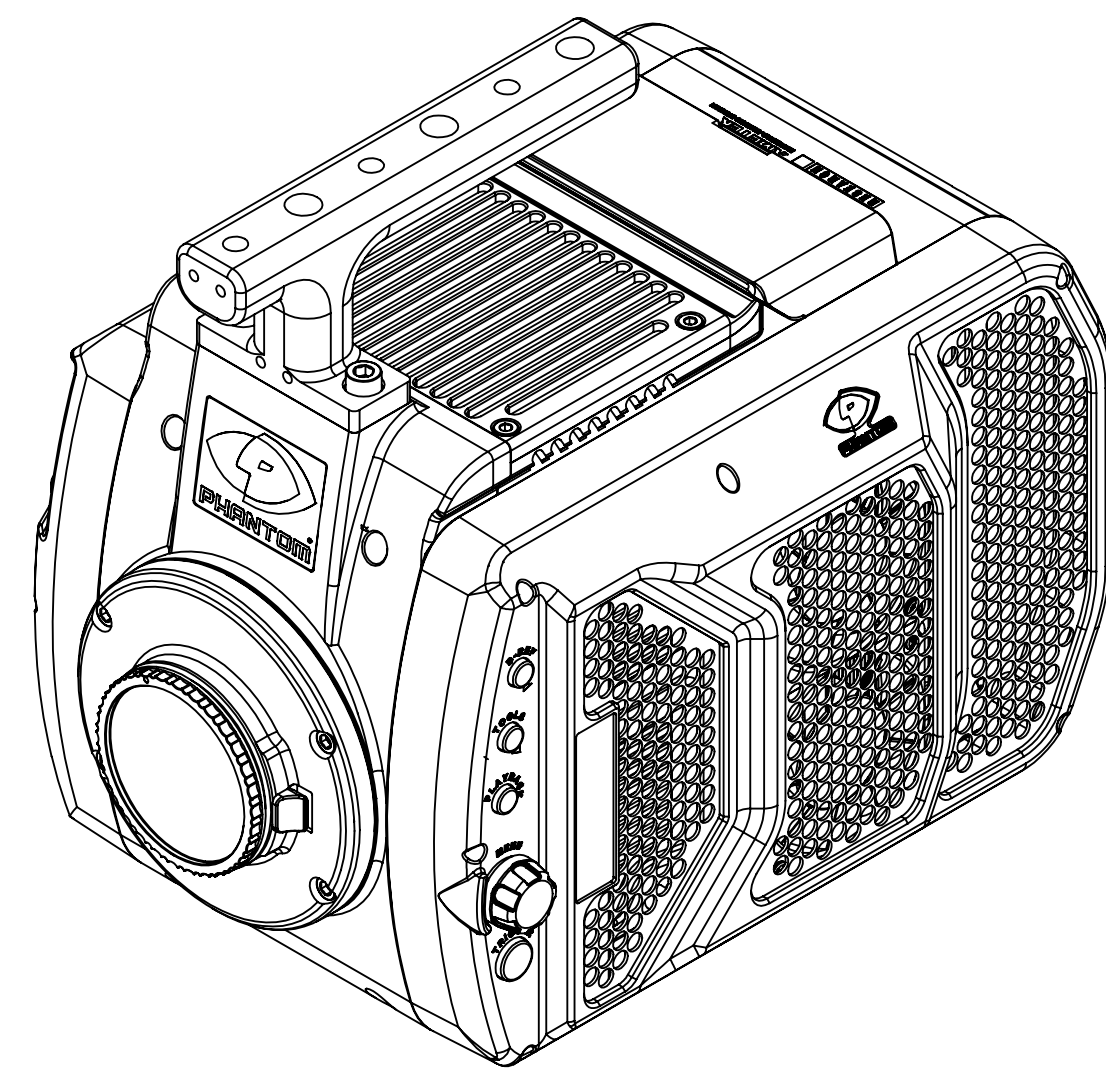


REVISIONS HISTORY			
REV.	DESCRIPTION	DRN BY	APP'D BY
0	INITIAL RELEASE	SW 1/29/18	



**PROPRIETARY AND CONFIDENTIAL**  
 THE INFORMATION CONTAINED IN THIS DRAWING IS THE SOLE PROPERTY OF VISION RESEARCH. ANY REPRODUCTION IN PART OR AS A WHOLE WITHOUT THE WRITTEN PERMISSION OF VISION RESEARCH IS PROHIBITED.

UNLESS OTHERWISE SPECIFIED:  
 DIMENSIONS ARE IN MM  
 TOLERANCES:  
 FRACTIONAL ±1/64  
 ANGULAR: MACH±0.5  
 ONE PLACE ±0.25  
 TWO PLACE ±0.13

INTERPRET GEOMETRIC TOLERANCING PER: MATERIAL

FINISH

DO NOT SCALE DRAWING

NEXT ASSY USED ON APPLICATION

NAME	DATE
DRAWN	
CHECKED	
ENG APPR.	
MFG APPR.	
Q.A.	

**VISION RESEARCH**  
 100 Dey Road  
 Wayne, New Jersey 07470 USA  
 973-696-4500

TITLE:  
**CUSTOMER DRAWING, Vxx40 WITH CINEMAG**

SIZE	DWG. NO.	REV
D	ZDOC-64108-CD-0001	0
SCALE 1:2	WEIGHT:	SHEET 1 OF 1

