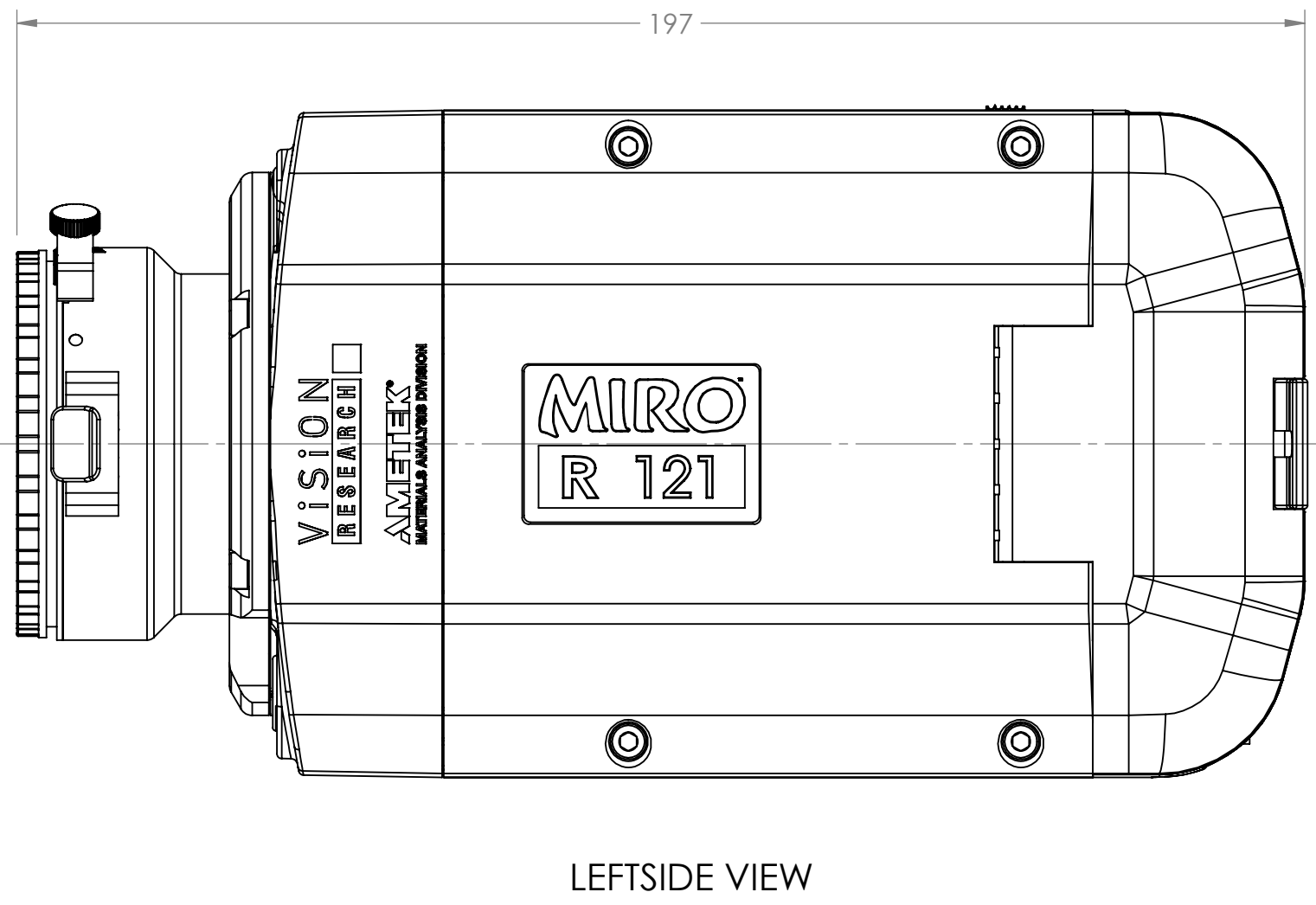
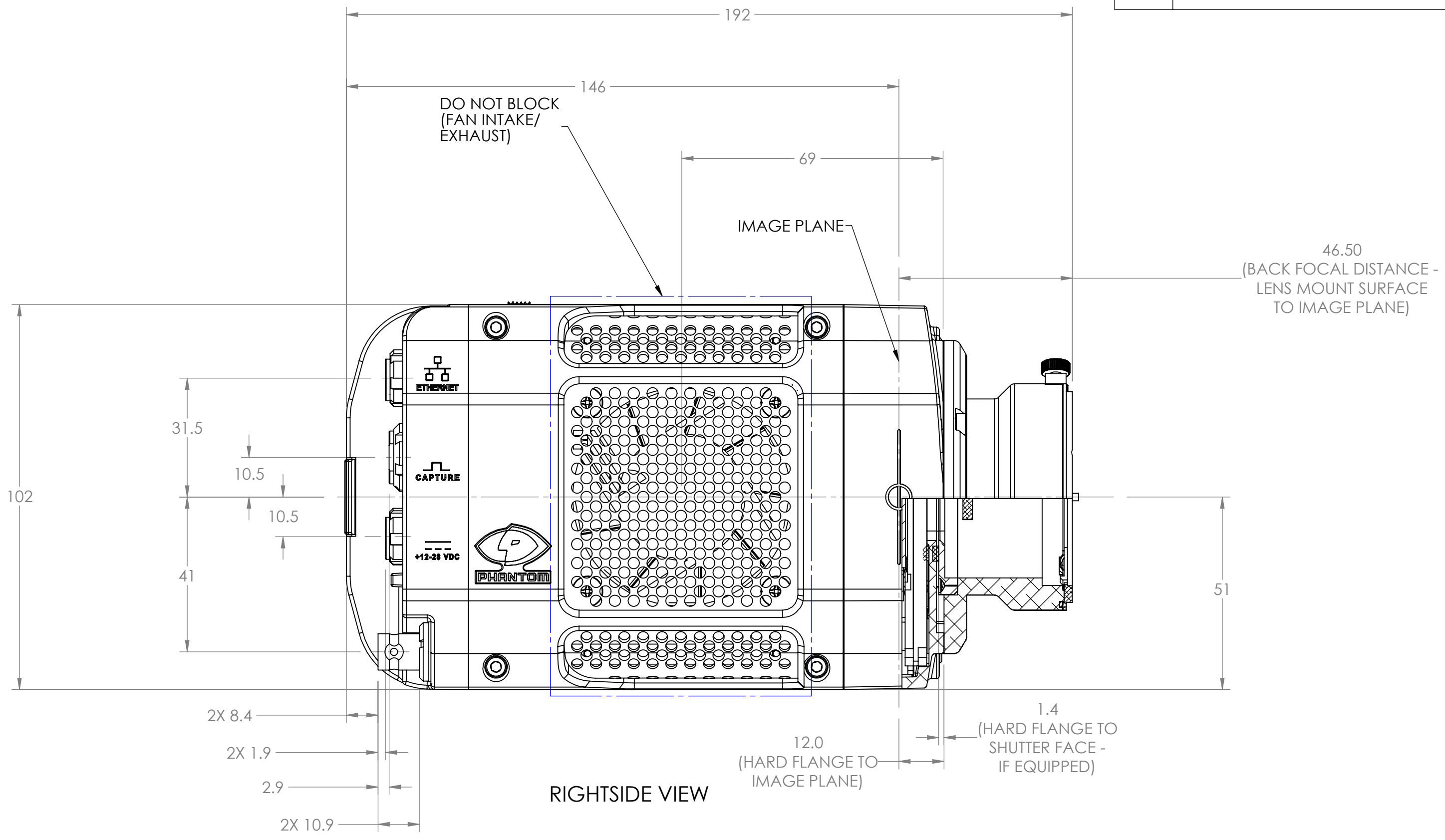
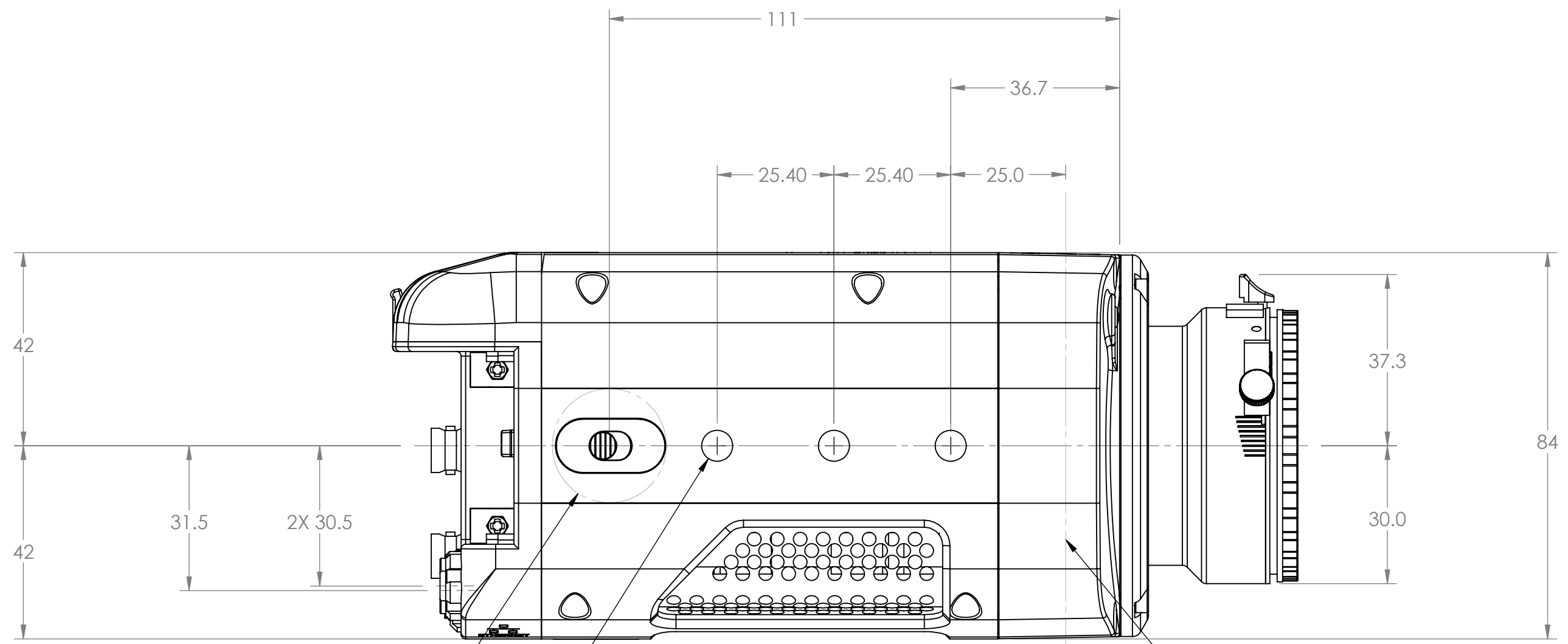


REVISIONS HISTORY			
REV.	DESCRIPTION	DRN BY	APP'D BY
0	RELEASED	WD	1/19/2016



- NOTES:
1. R121 SHOWN ABOVE IS EQUIPPED WITH STANDARD NIKON G-MOUNT, BUT WITHOUT BATTERY OR OPTICAL LOW-PASS FILTER INSTALLED.
 2. OPTICAL LOW-PASS FILTER ASSEMBLY (AD-2MA1219), WHEN INSTALLED, ADDS APPROXIMATELY 2.0mm TO BACK FOCAL DISTANCE AND OVERALL CAMERA LENGTH.
 3. BODY CAP, WHEN INSTALLED, ADDS APPROXIMATELY 5.0mm TO OVERALL CAMERA LENGTH

PROPRIETARY AND CONFIDENTIAL THE INFORMATION CONTAINED IN THIS DRAWING IS THE SOLE PROPERTY OF VISION RESEARCH. ANY REPRODUCTION IN PART OR AS A WHOLE WITHOUT THE WRITTEN PERMISSION OF VISION RESEARCH IS PROHIBITED.		UNLESS OTHERWISE SPECIFIED: DIMENSIONS ARE IN mm TOLERANCES: ANGULAR: $\pm 0.5^\circ$ ONE PLACE: ± 0.25 TWO PLACE: ± 0.13 INTERPRET GEOMETRIC TOLERANCES PER ASME Y14.5-2009		NAME DATE DRAWN WRD 1/19/16 CHECKED ENG APPR. MFG APPR.		VISION RESEARCH 100 Dey Road Wayne, New Jersey 07470 USA 973-696-4500 TITLE: CUSTOMER DRAWING, R111, R121, R141, R311, R321S & R141	
NEXT ASSY	USED ON	MATERIAL	FINISH	SCALE 1:1		DWG. NO. ZDOC-64084-CD-0005	REV 0
APPLICATION		DO NOT SCALE DRAWING		SCALE 1:1		SHEET 1 OF 3	



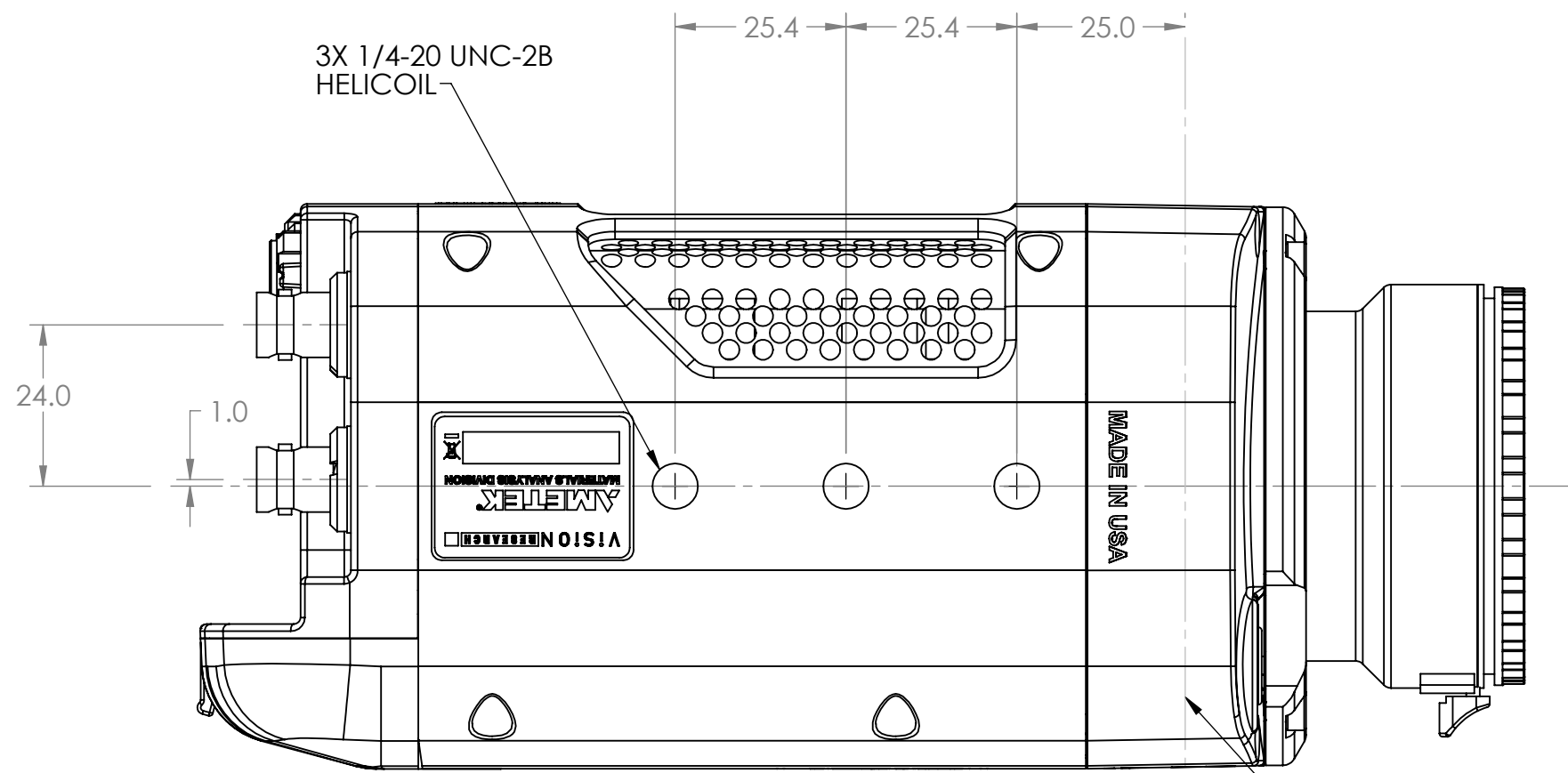
DO NOT BLOCK
(BATTERY RELEASE)

TOPSIDE VIEW

IMAGE PLANE

3X 1/4-20 UNC-2B
HELICOIL

NOTE: CLEARANCE MUST BE PROVIDED FOR
ROTATIONAL TRAVEL OF SSD DOOR AND
ACCESS MAINTAINED FOR
INSERTION/REMOVAL OF CINEFLASH DRIVES.



3X 1/4-20 UNC-2B
HELICOIL

BOTTOMSIDE VIEW

IMAGE PLANE

PROPRIETARY AND CONFIDENTIAL
THE INFORMATION CONTAINED IN
THIS DRAWING IS THE SOLE
PROPERTY OF VISION RESEARCH.
ANY REPRODUCTION IN PART OR AS
A WHOLE WITHOUT THE WRITTEN
PERMISSION OF VISION RESEARCH IS
PROHIBITED.

UNLESS OTHERWISE SPECIFIED:
DIMENSIONS ARE IN mm
TOLERANCES:
ANGULAR: $\pm 0.5^\circ$
ONE PLACE: ± 0.25
TWO PLACE: ± 0.13
INTERPRET GEOMETRIC TOLERANCES
PER ASME Y14.5-2009

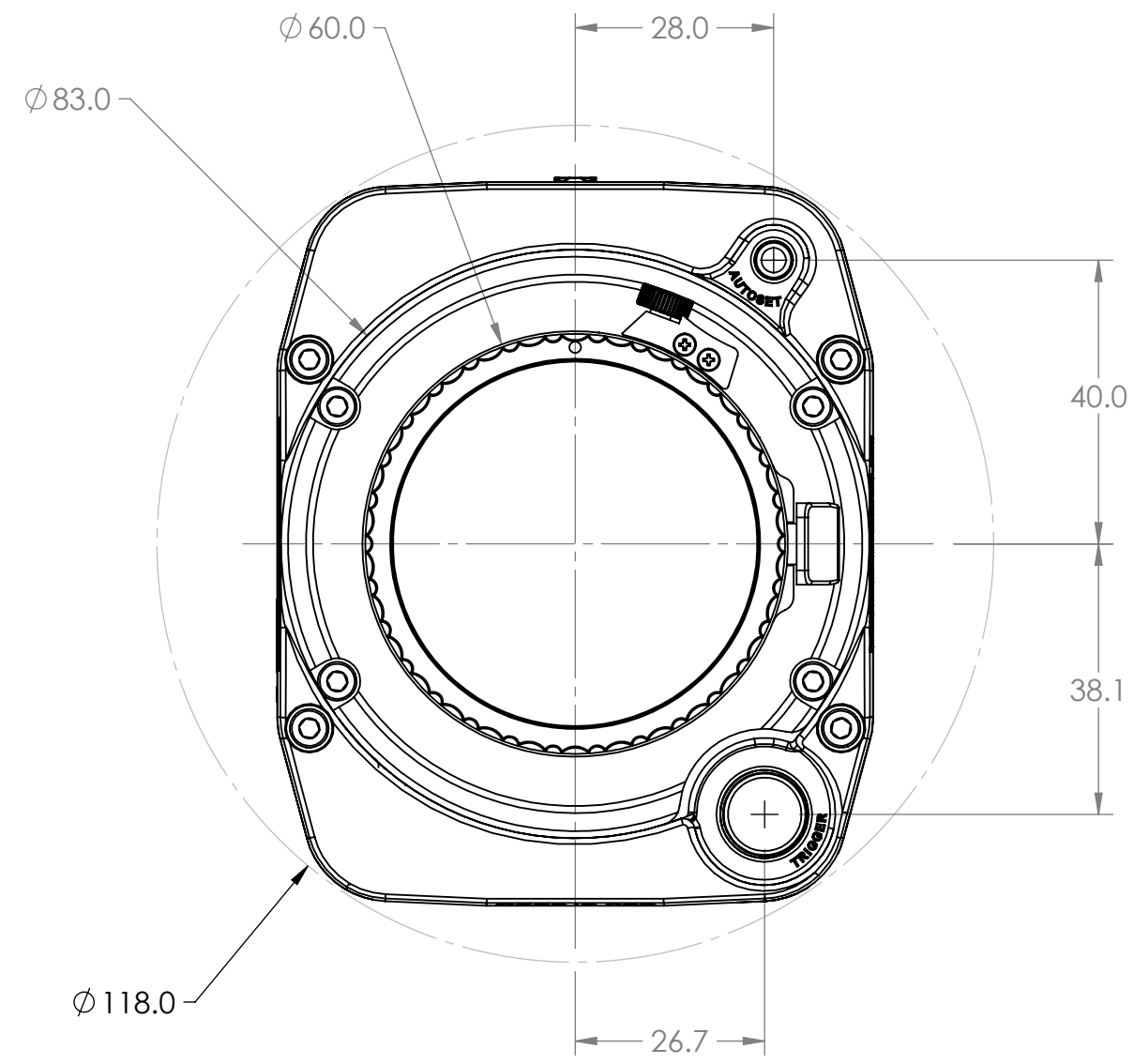
NAME	DATE
WRD	1/19/16
DRAWN	
CHECKED	
ENG APPR.	
MFG APPR.	
Q.A.	

VISION RESEARCH
100 Dey Road
Wayne, New Jersey 07470 USA
973-696-4500
TITLE:
CUSTOMER DRAWING, R111,
R121, R141, R311, R321S & R141

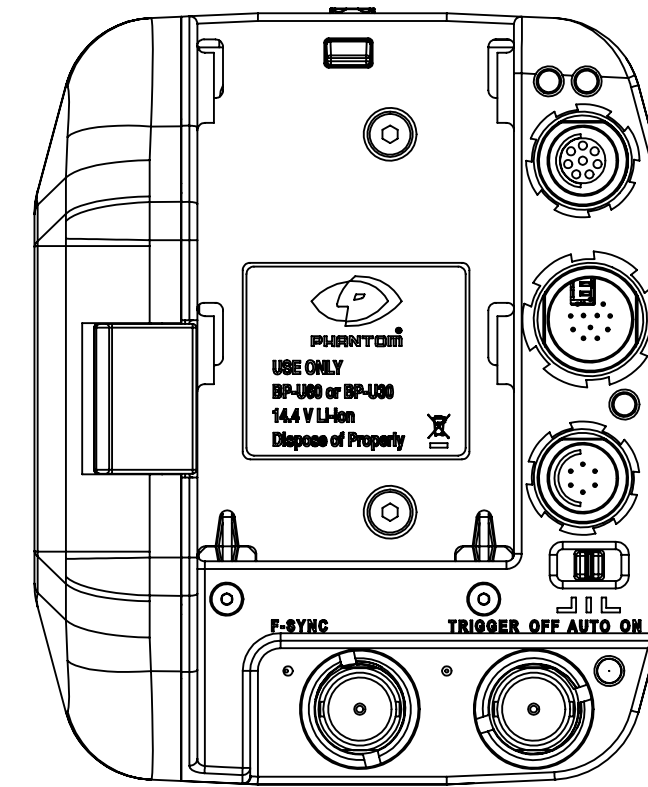
MATERIAL	FINISH
DO NOT SCALE DRAWING	
APPLICATION	



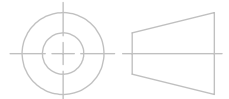
SIZE	DWG. NO.	REV
C	ZDOC-64084-CD-0005	0
SCALE 1:1		SHEET 2 OF 3



FRONTSIDE VIEW



BACKSIDE VIEW

PROPRIETARY AND CONFIDENTIAL THE INFORMATION CONTAINED IN THIS DRAWING IS THE SOLE PROPERTY OF VISION RESEARCH. ANY REPRODUCTION IN PART OR AS A WHOLE WITHOUT THE WRITTEN PERMISSION OF VISION RESEARCH IS PROHIBITED.		UNLESS OTHERWISE SPECIFIED: DIMENSIONS ARE IN mm TOLERANCES: ANGULAR: ±0.5° ONE PLACE: ±0.25 TWO PLACE: ±0.13 INTERPRET GEOMETRIC TOLERANCES PER ASME Y14.5-2009 MATERIAL FINISH		NAME WRD	DATE 1/19/16	VISION RESEARCH 100 Dey Road Wayne, New Jersey 07470 USA 973-696-4500 TITLE: CUSTOMER DRAWING, R111, R121, R141, R311, R321S & R141 SIZE DWG. NO. REV C ZDOC-64084-CD-0005 0
NEXT ASSY	USED ON	DO NOT SCALE DRAWING	Q.A. 		SCALE 1:1	