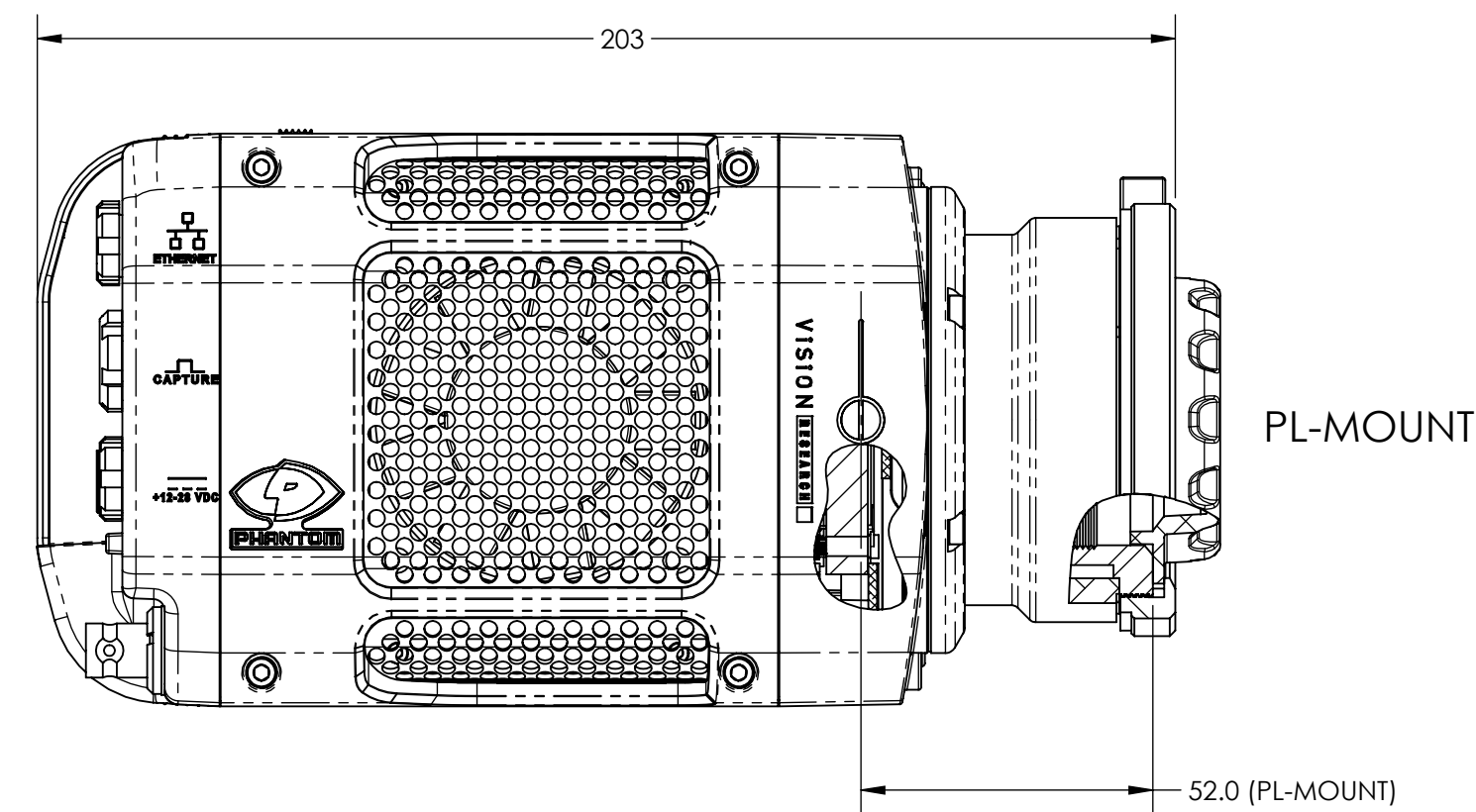
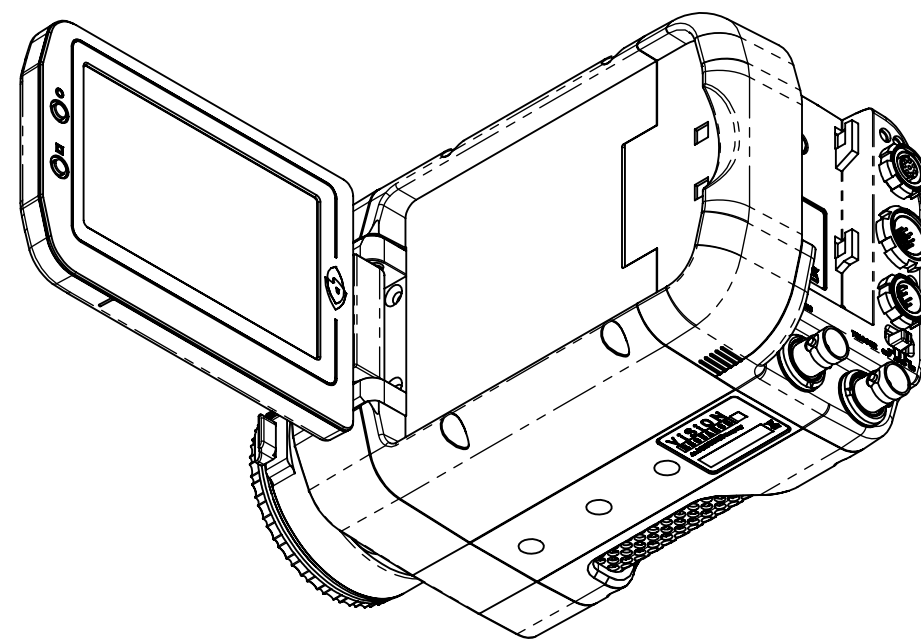
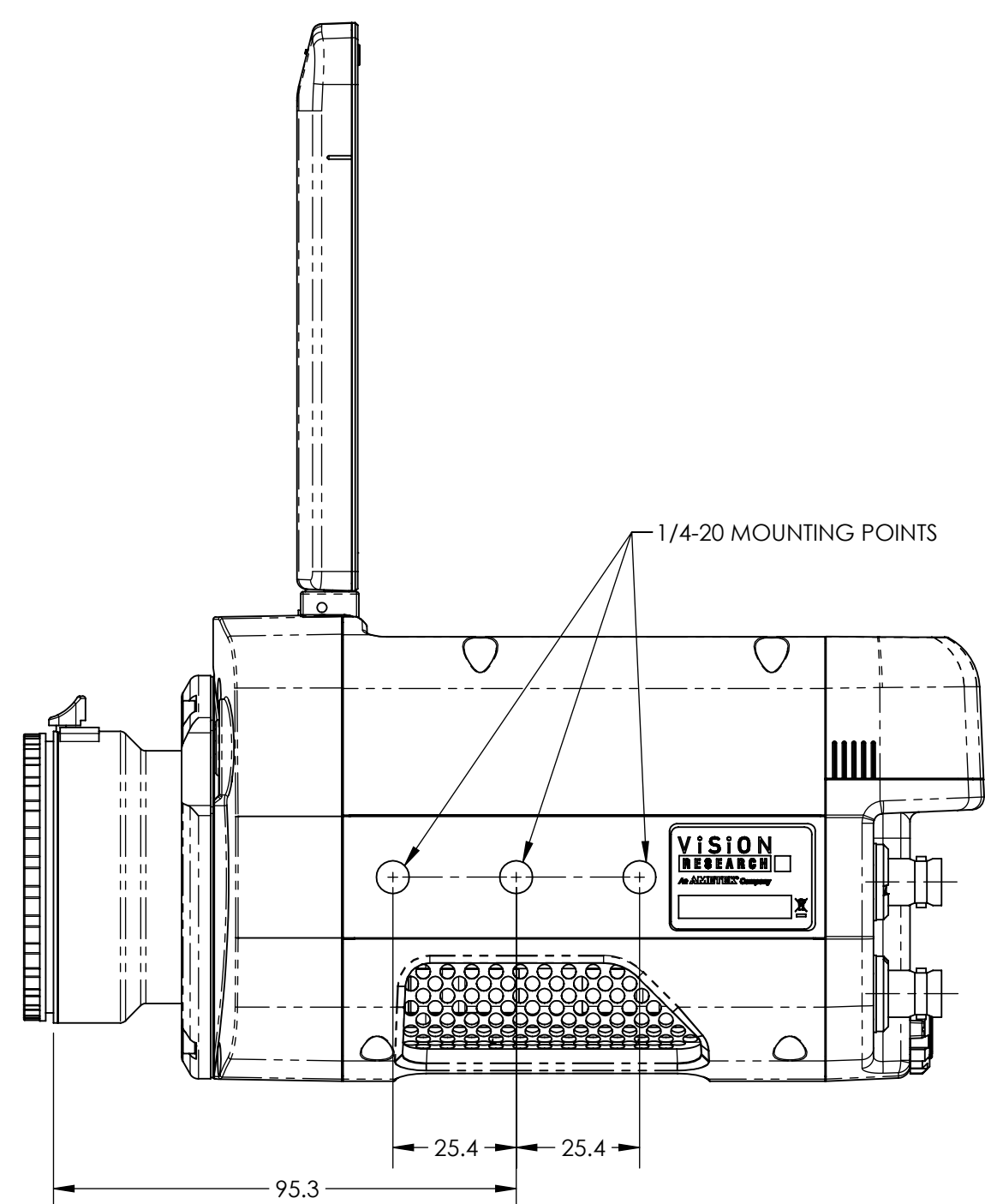
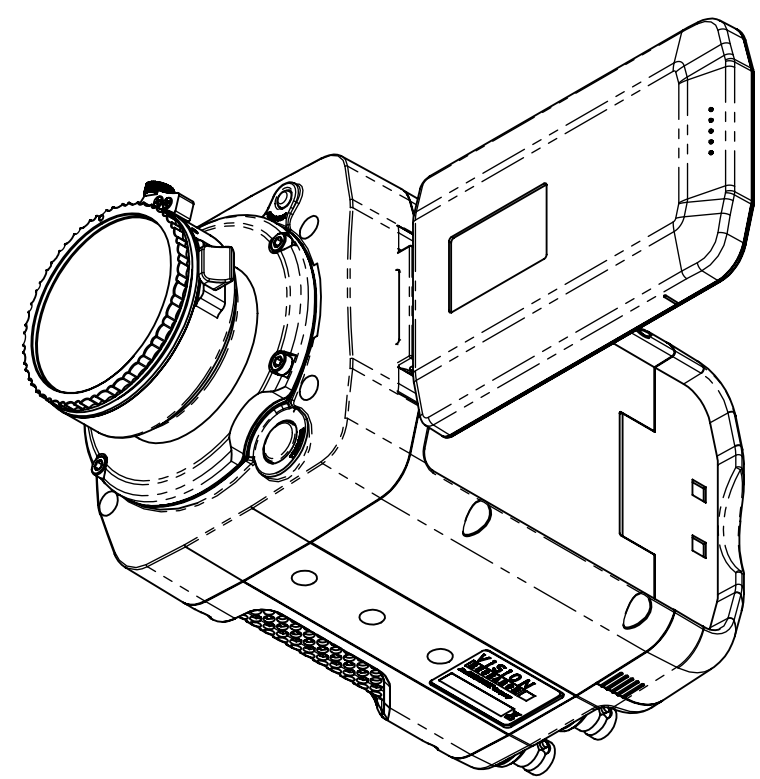
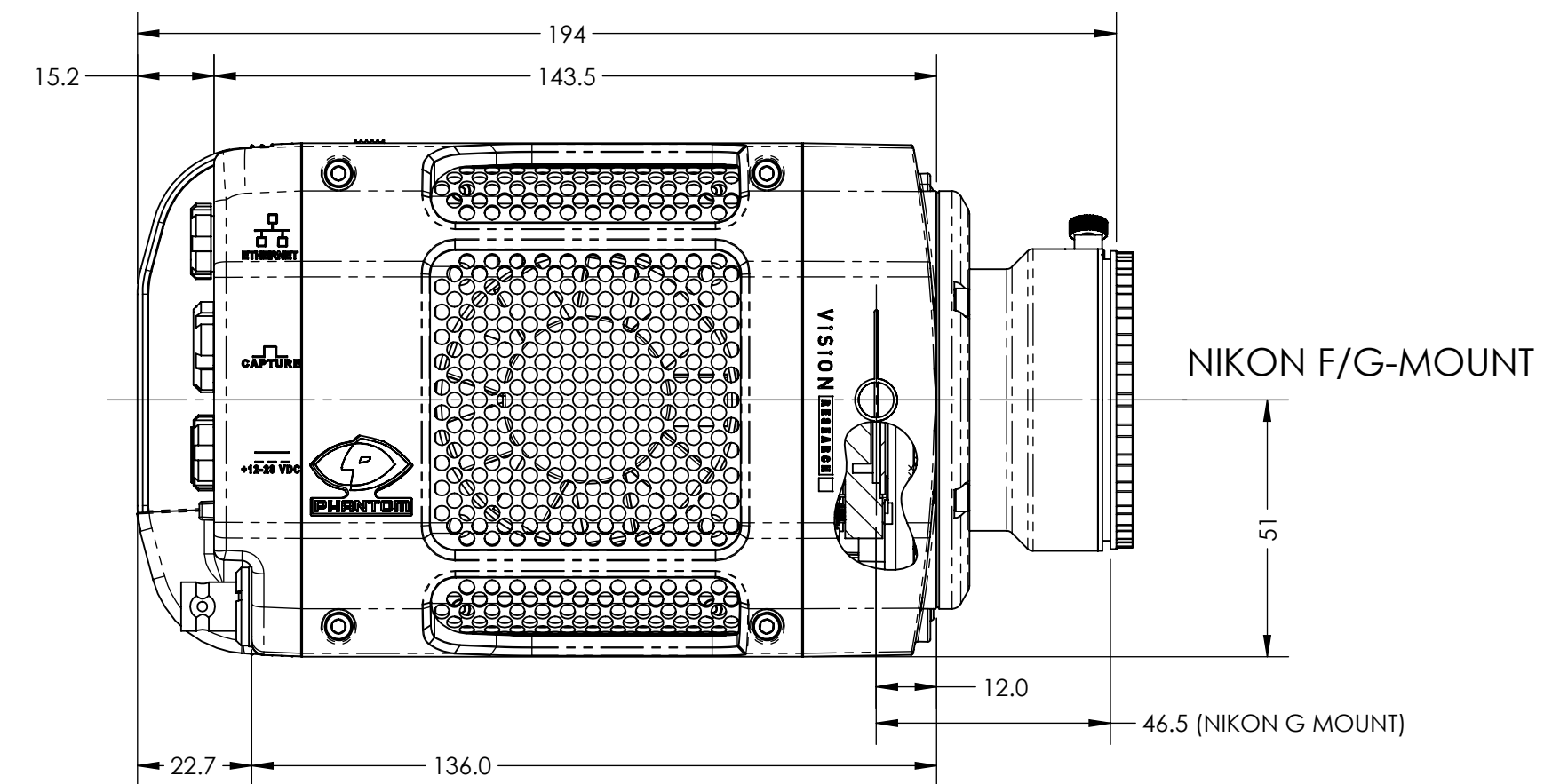
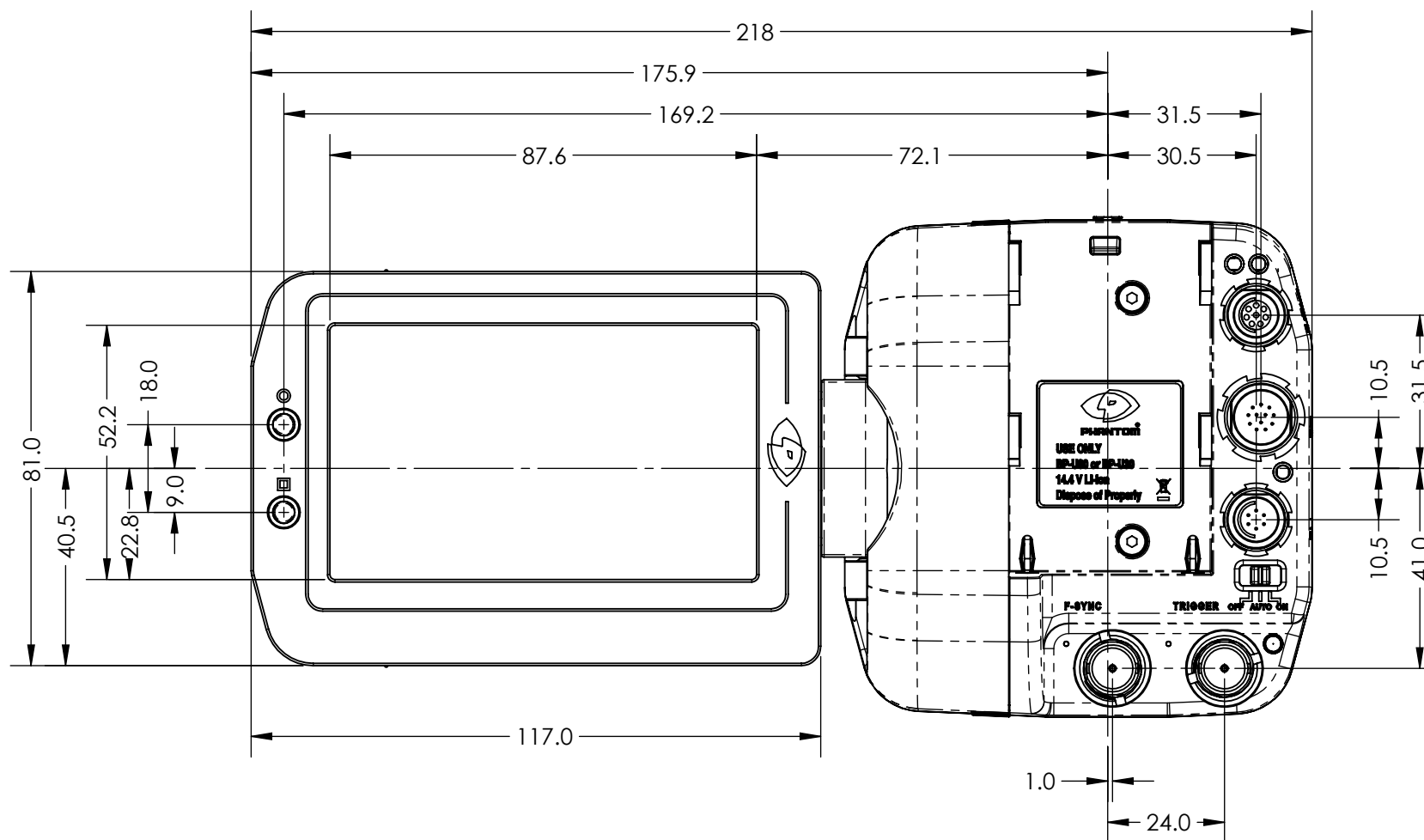
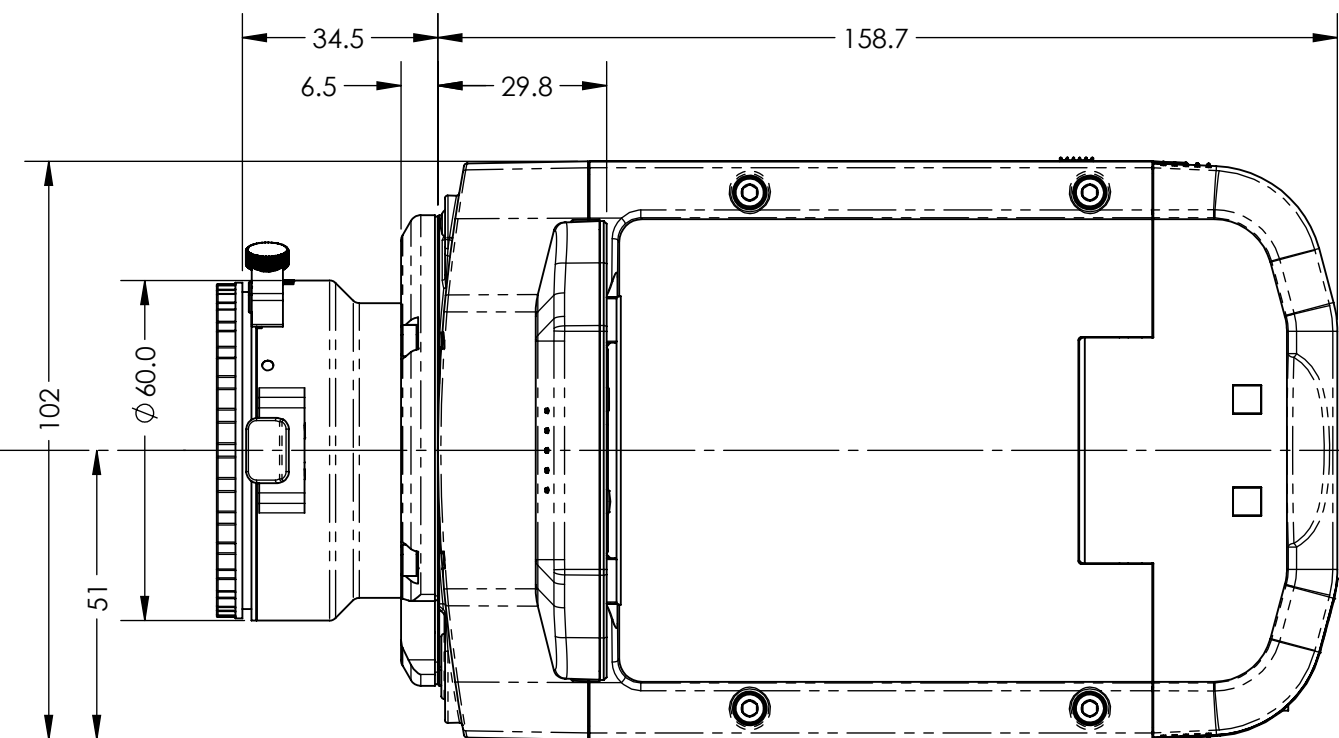
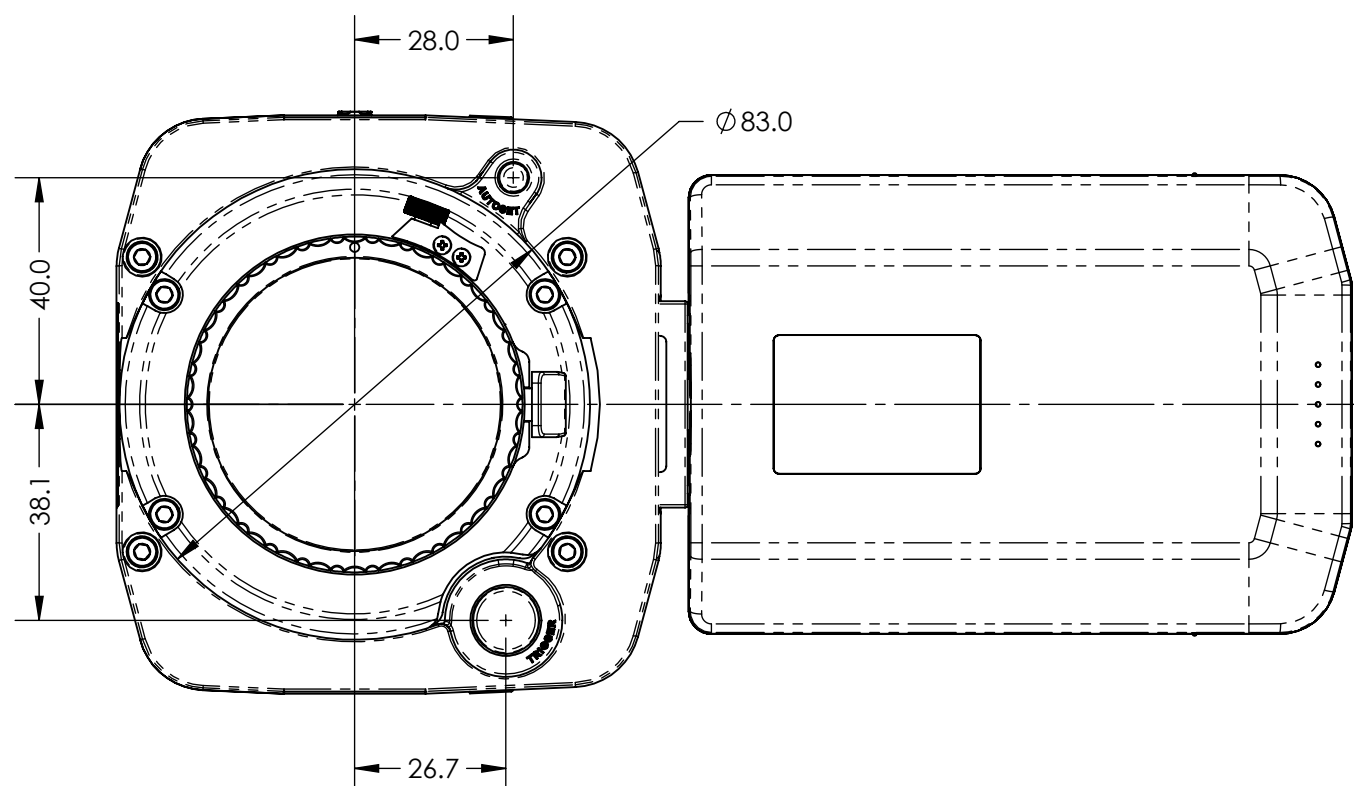
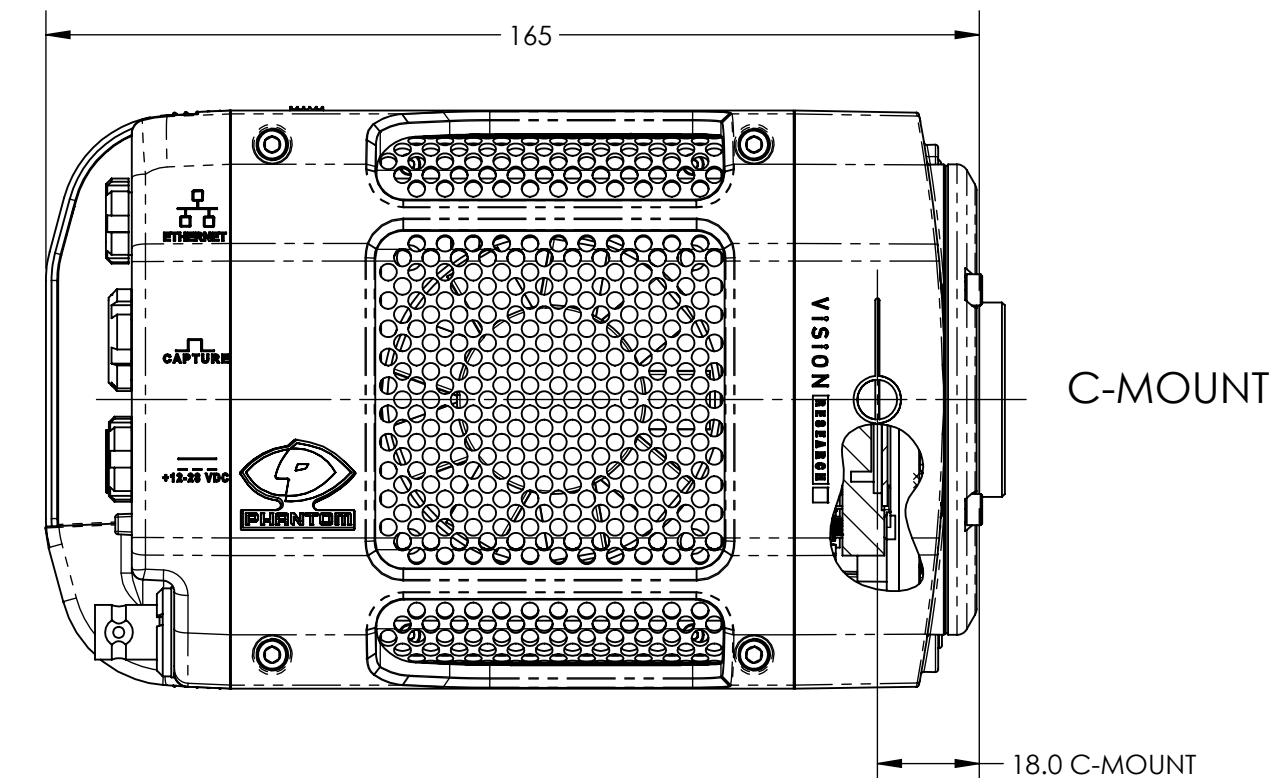
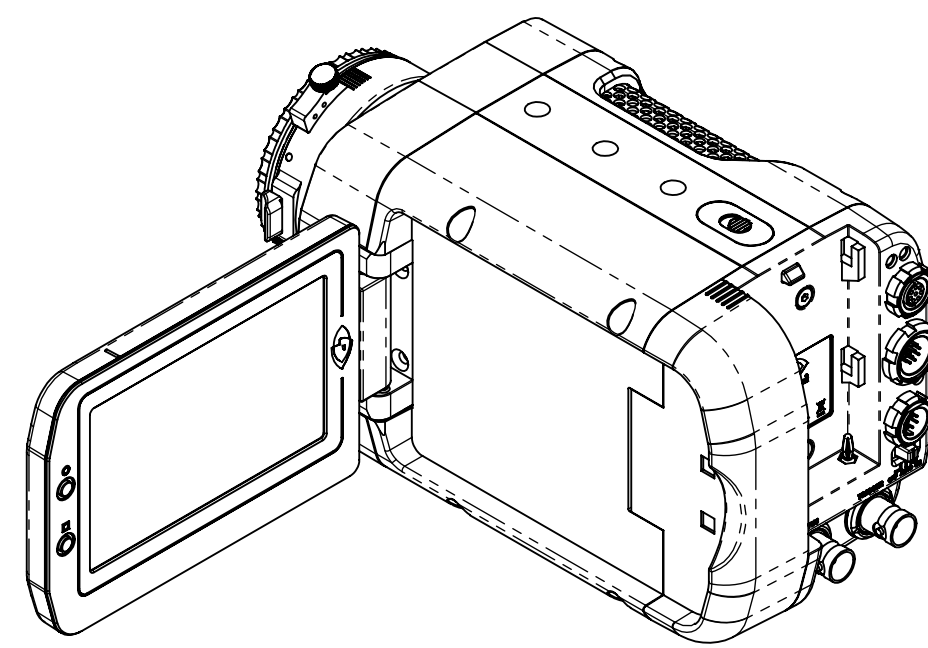
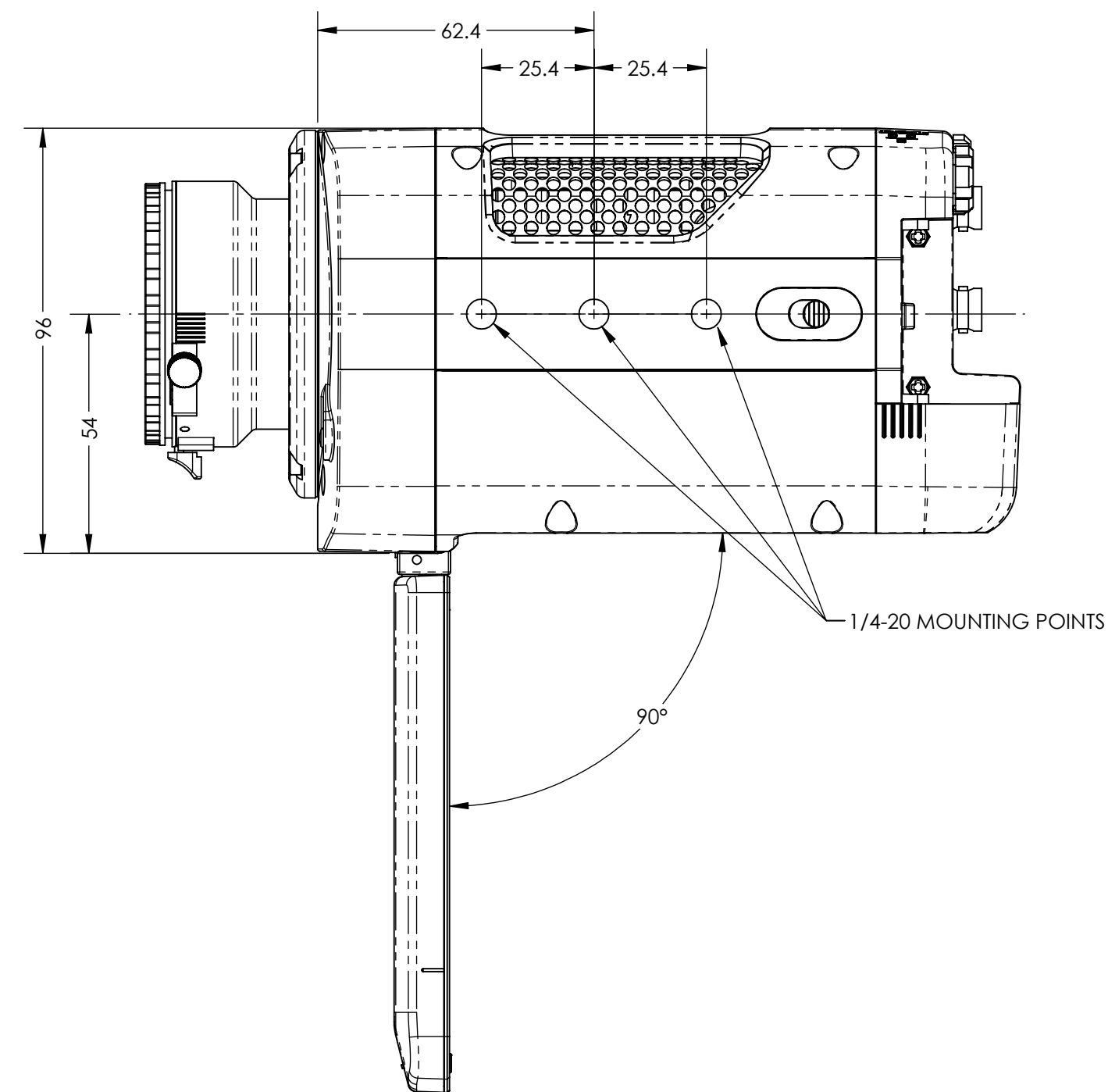
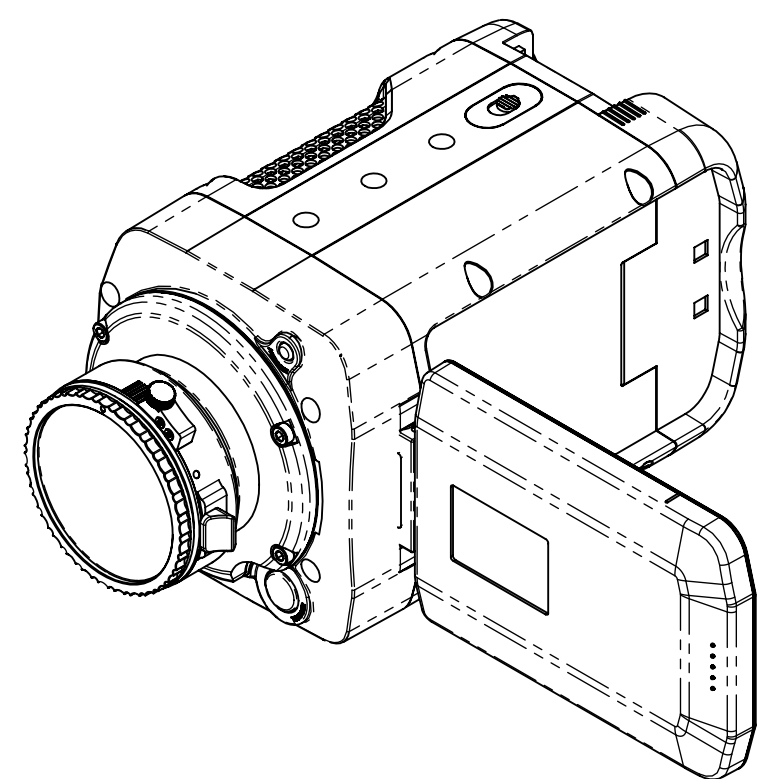


REVISIONS HISTORY			
REV.	DESCRIPTION	DRN BY	APP'D BY
0	INITIAL RELEASE	B.E.	9/7/12



**PROPRIETARY AND CONFIDENTIAL**

THE INFORMATION CONTAINED IN THIS DRAWING IS THE SOLE PROPERTY OF VISION RESEARCH. ANY REPRODUCTION IN PART OR AS A WHOLE WITHOUT THE WRITTEN PERMISSION OF VISION RESEARCH IS PROHIBITED.

UNLESS OTHERWISE SPECIFIED:

DIMENSIONS ARE IN MM

TOLERANCES:  
 FRACTIONAL:  $\pm 1/64$   
 ANGULAR:  $MACH \pm 0.5$   
 ONE PLACE:  $\pm 0.25$   
 TWO PLACE:  $\pm 0.13$

INTERPRET GEOMETRIC TOLERANCING PER: MATERIAL

FINISH

DO NOT SCALE DRAWING

NAME	DATE
DRAWN B.E.	9/7/12
CHECKED	
ENG APPR.	
MFG APPR.	
Q.A.	

**VISION RESEARCH**

100 Dey Road  
 Wayne, New Jersey 07470 USA  
 973-696-4500

TITLE:  
**CUSTOMER DRAWING, LCxxx**

SIZE DWG. NO. REV

**D** ZDOC-64084-CD-0002 0

SCALE 3:4 WEIGHT: SHEET 1 OF 1

