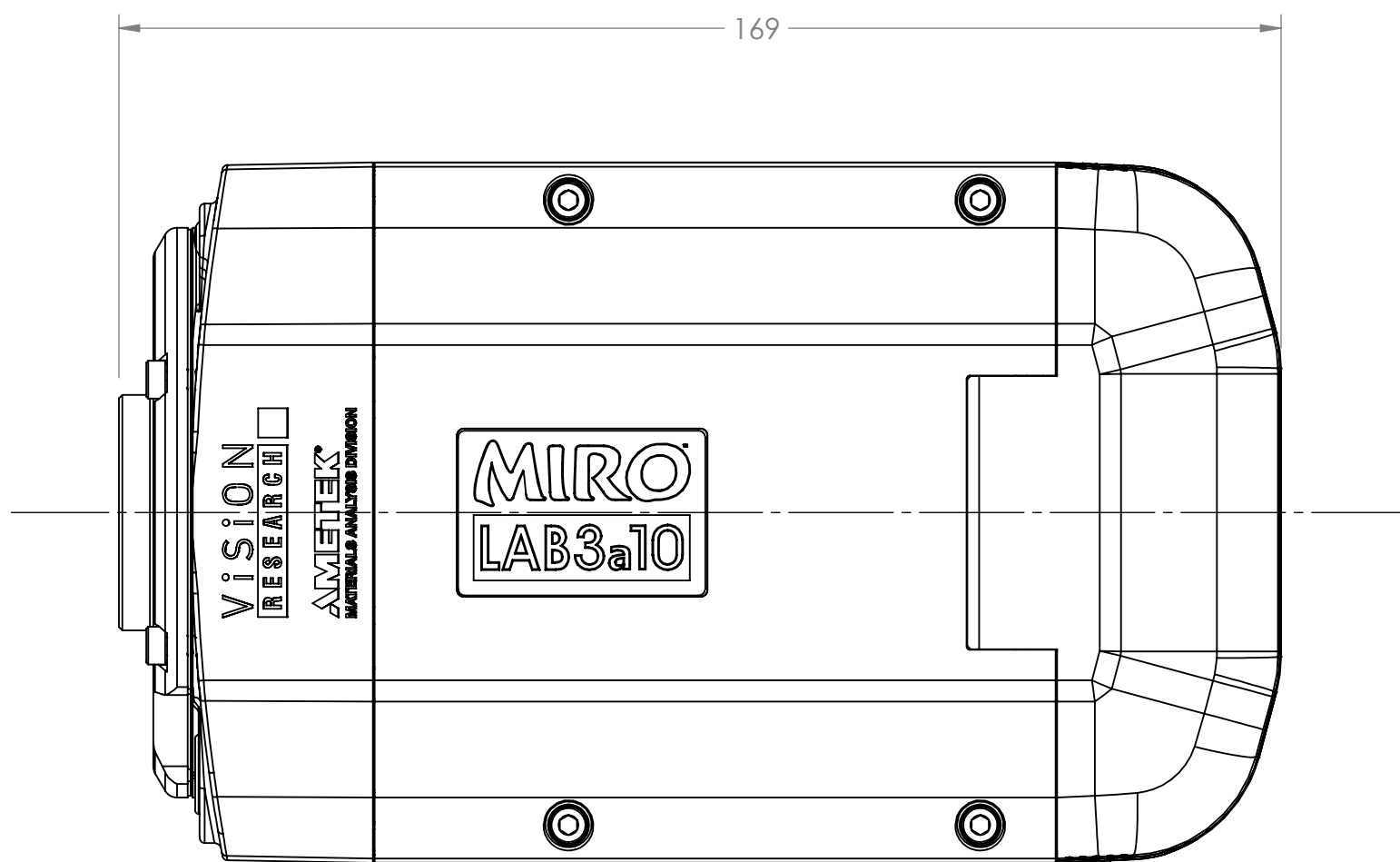
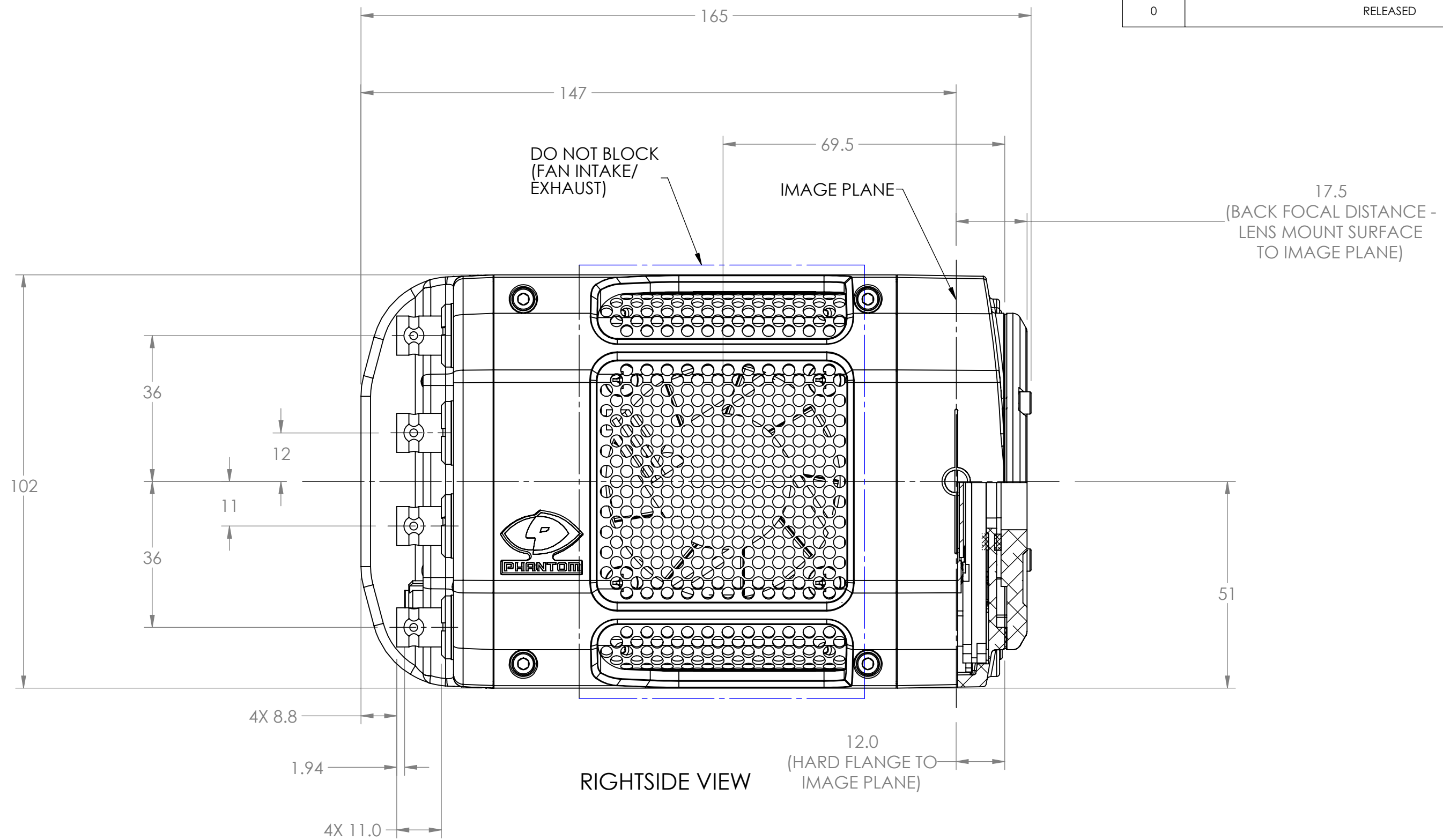
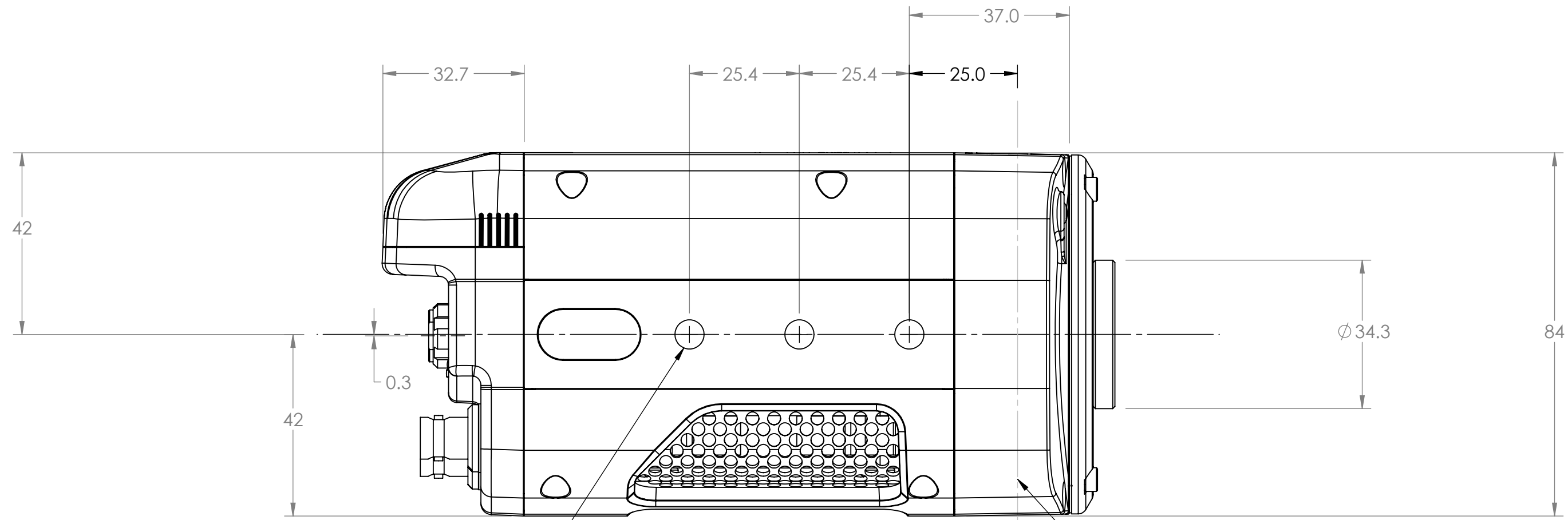


REVISIONS HISTORY			
REV.	DESCRIPTION	DRN BY	APP'D BY
0	RELEASED	WD	10/29/15



- NOTES:
- LAB3a10 SHOWN IS EQUIPPED WITH STANDARD C-MOUNT (AD-2MA1227).
 - BODY CAP, WHEN INSTALLED, ADDS APPROIMATELY 4.0mm TO OVERALL CAMERA LENGTH

PROPRIETARY AND CONFIDENTIAL THE INFORMATION CONTAINED IN THIS DRAWING IS THE SOLE PROPERTY OF VISION RESEARCH. ANY REPRODUCTION IN PART OR AS A WHOLE WITHOUT THE WRITTEN PERMISSION OF VISION RESEARCH IS PROHIBITED.	UNLESS OTHERWISE SPECIFIED:	NAME	DATE	VISION RESEARCH 100 Dey Road Wayne, New Jersey 07470 USA 973-696-4500 TITLE: CUSTOMER DRAWING, LAB110, LAB120, LAB140, LAB310, LAB3a10, LAB320 & LAB340 SIZE DWG. NO. REV C ZDOC-64084-CD-0004 0 SCALE 1:1 SHEET 1 OF 3	
	DIMENSIONS ARE IN mm	DRAWN	WRD 10/29/15		
	TOLERANCES: ANGULAR: ±0.5° ONE PLACE: ±0.25 TWO PLACE: ±0.13	CHECKED			
	INTERPRET GEOMETRIC TOLERANCES PER ASME Y14.5-2009	ENG APPR.			
	MATERIAL	MFG APPR.			
	FINISH				
NEXT ASSY	USED ON				
APPLICATION	DO NOT SCALE DRAWING				

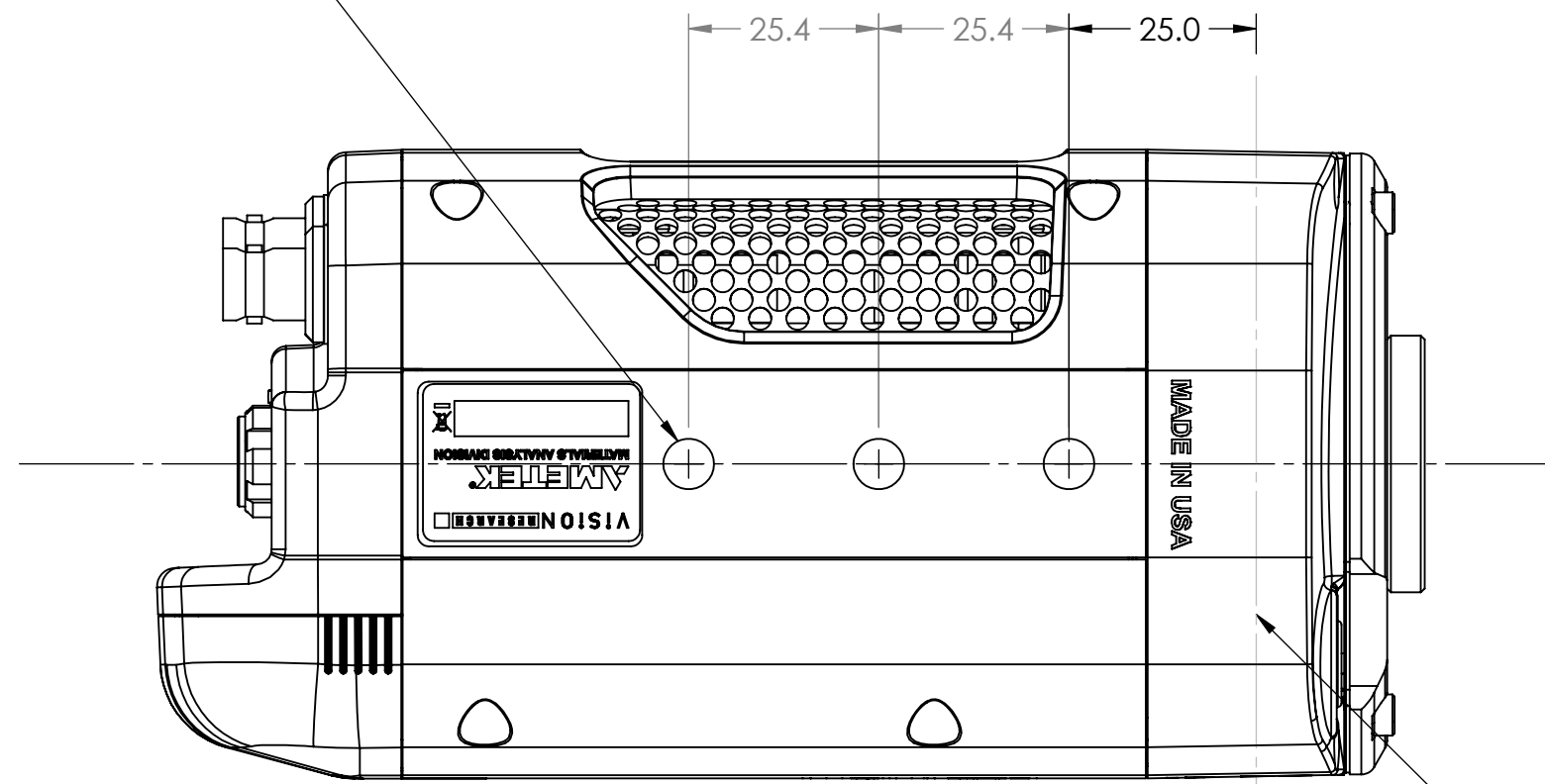


TOPSIDE VIEW

IMAGE PLANE

3X 1/4-20 UNC-2B
HELICOIL

3X 1/4-20 UNC-2B
HELICOIL



BOTTOMSIDE VIEW

IMAGER PLANE

NOTE: CLEARANCE MUST BE PROVIDED FOR
ROTATIONAL TRAVEL OF SSD DOOR AND
ACCESS MAINTAINED AT REAR FOR
INSERTION/REMOVAL OF CINEFLASH DRIVES.

PROPRIETARY AND CONFIDENTIAL
THE INFORMATION CONTAINED IN
THIS DRAWING IS THE SOLE
PROPERTY OF VISION RESEARCH.
ANY REPRODUCTION IN PART OR AS
A WHOLE WITHOUT THE WRITTEN
PERMISSION OF VISION RESEARCH IS
PROHIBITED.

UNLESS OTHERWISE SPECIFIED:

DIMENSIONS ARE IN mm

TOLERANCES:
ANGULAR: $\pm 0.5^\circ$
ONE PLACE: ± 0.25
TWO PLACE: ± 0.13

INTERPRET GEOMETRIC TOLERANCES
PER ASME Y14.5-2009

MATERIAL

FINISH

DO NOT SCALE DRAWING

NEXT ASSY USED ON APPLICATION

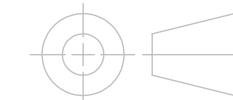
NAME	DATE
DRAWN WRD	10/29/15
CHECKED	
ENG APPR.	
MFG APPR.	

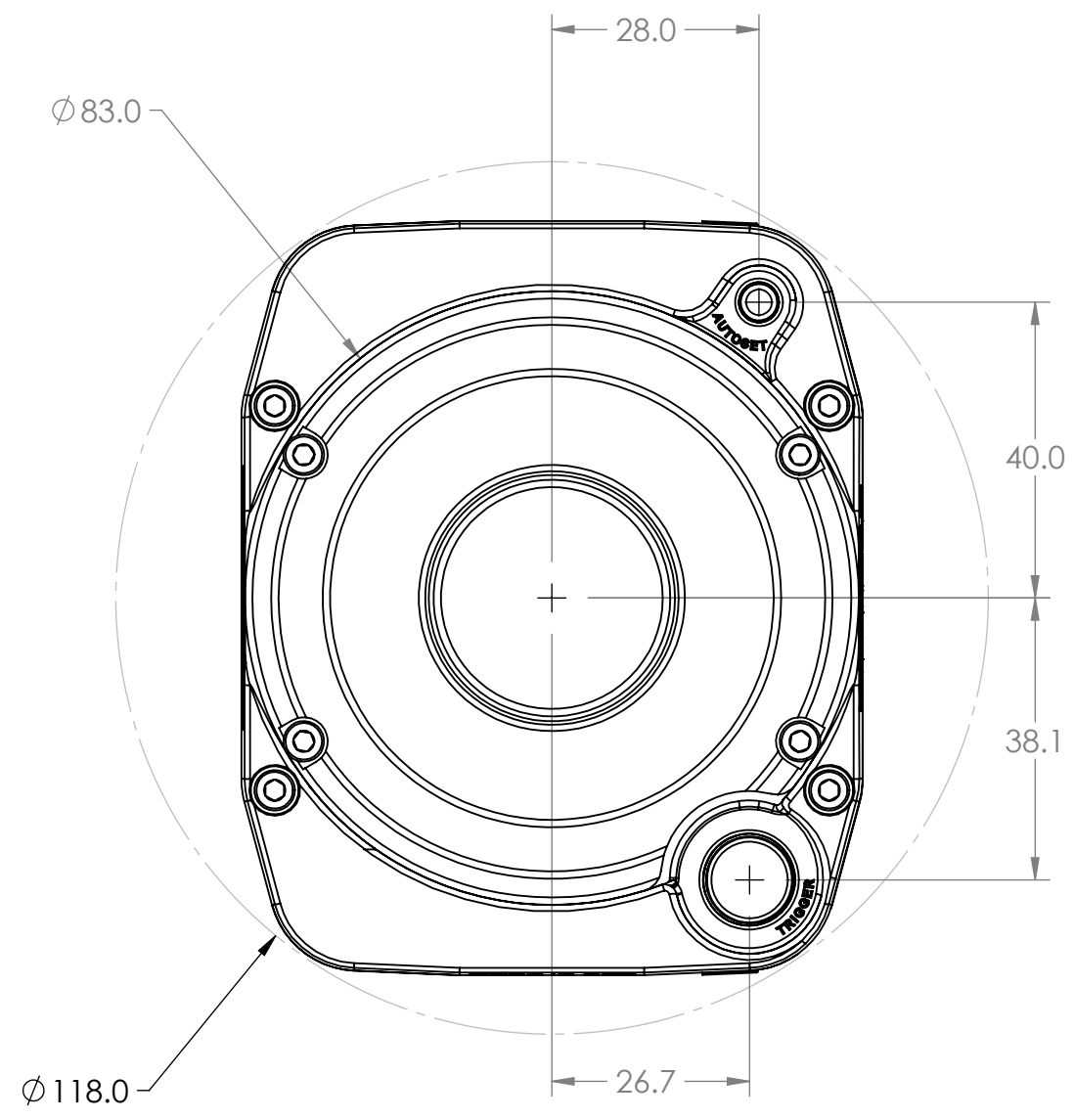
VISION RESEARCH
100 Dey Road
Wayne, New Jersey 07470 USA
973-696-4500

TITLE:
CUSTOMER DRAWING, LAB110,
LAB120, LAB140, LAB310, LAB3g10,
LAB320 & LAB340

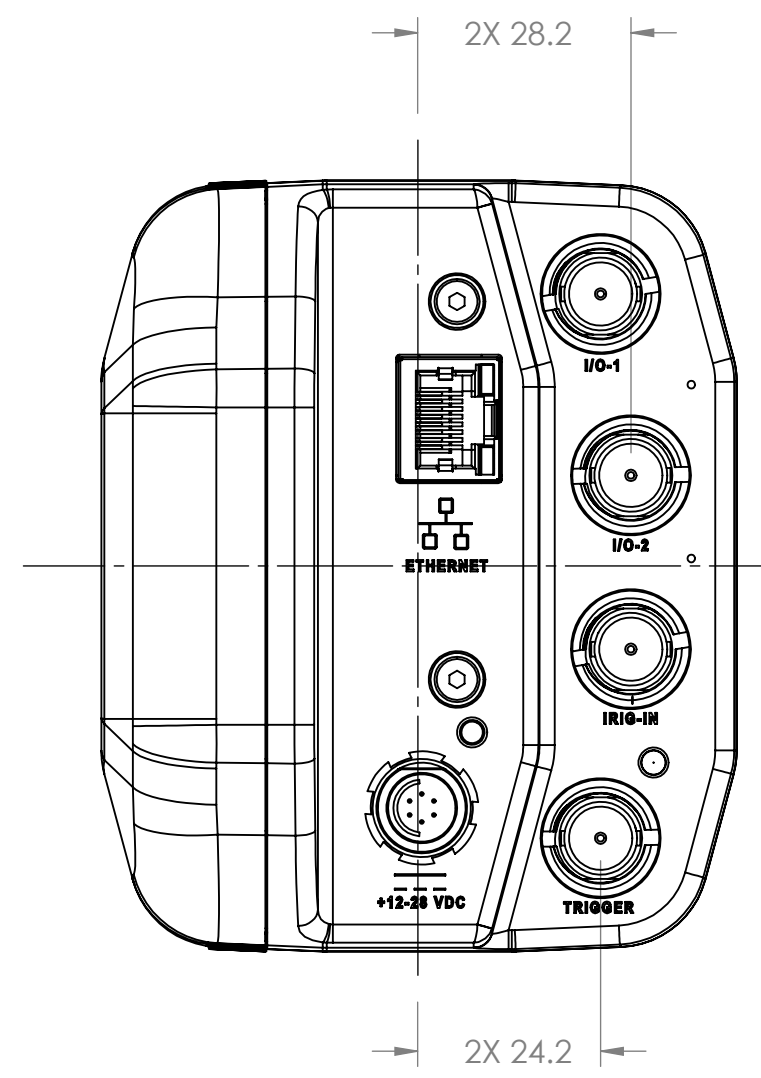
SIZE DWG. NO. REV
C ZDOC-64084-CD-0004 0

SCALE 1:1 SHEET 2 OF 3





FRONTSIDE VIEW



BACKSIDE VIEW

PROPRIETARY AND CONFIDENTIAL THE INFORMATION CONTAINED IN THIS DRAWING IS THE SOLE PROPERTY OF VISION RESEARCH. ANY REPRODUCTION IN PART OR AS A WHOLE WITHOUT THE WRITTEN PERMISSION OF VISION RESEARCH IS PROHIBITED.		UNLESS OTHERWISE SPECIFIED: DIMENSIONS ARE IN mm TOLERANCES: ANGULAR: ±0.5° ONE PLACE: ±0.25 TWO PLACE: ±0.13 INTERPRET GEOMETRIC TOLERANCES PER ASME Y14.5-2009		NAME WRD	DATE 10/29/15	VISION RESEARCH 100 Dey Road Wayne, New Jersey 07470 USA 973-696-4500 TITLE: CUSTOMER DRAWING, LAB110, LAB120, LAB140, LAB310, LAB3G10, LAB320 & LAB340 SIZE DWG. NO. REV C ZDOC-64084-CD-0004 0
NEXT ASSY	USED ON	MATERIAL	FINISH	ENG APPR.	MFG APPR.	
APPLICATION		DO NOT SCALE DRAWING				SCALE 1:1 SHEET 3 OF 3