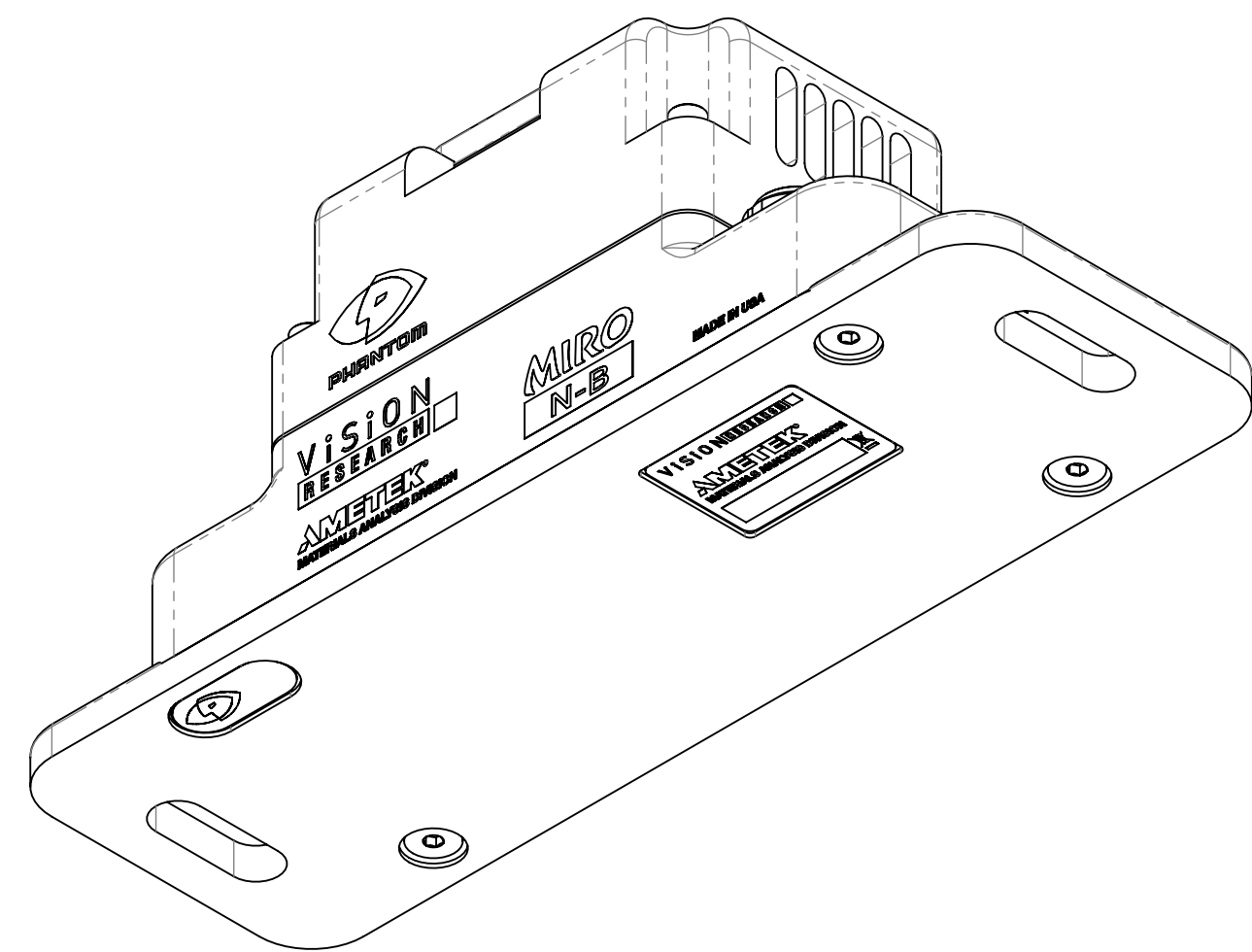
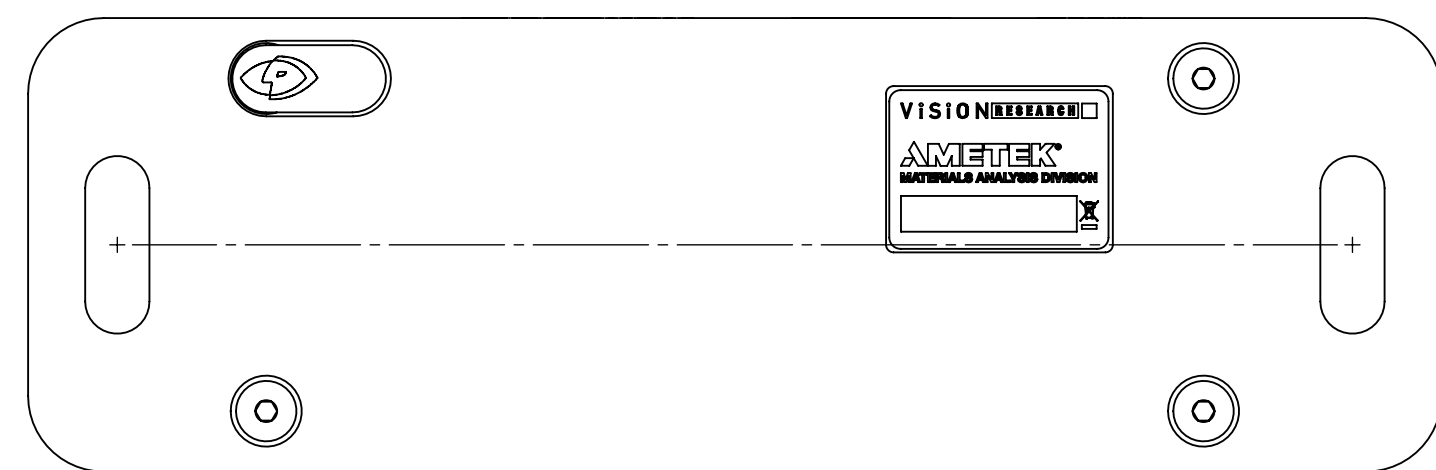
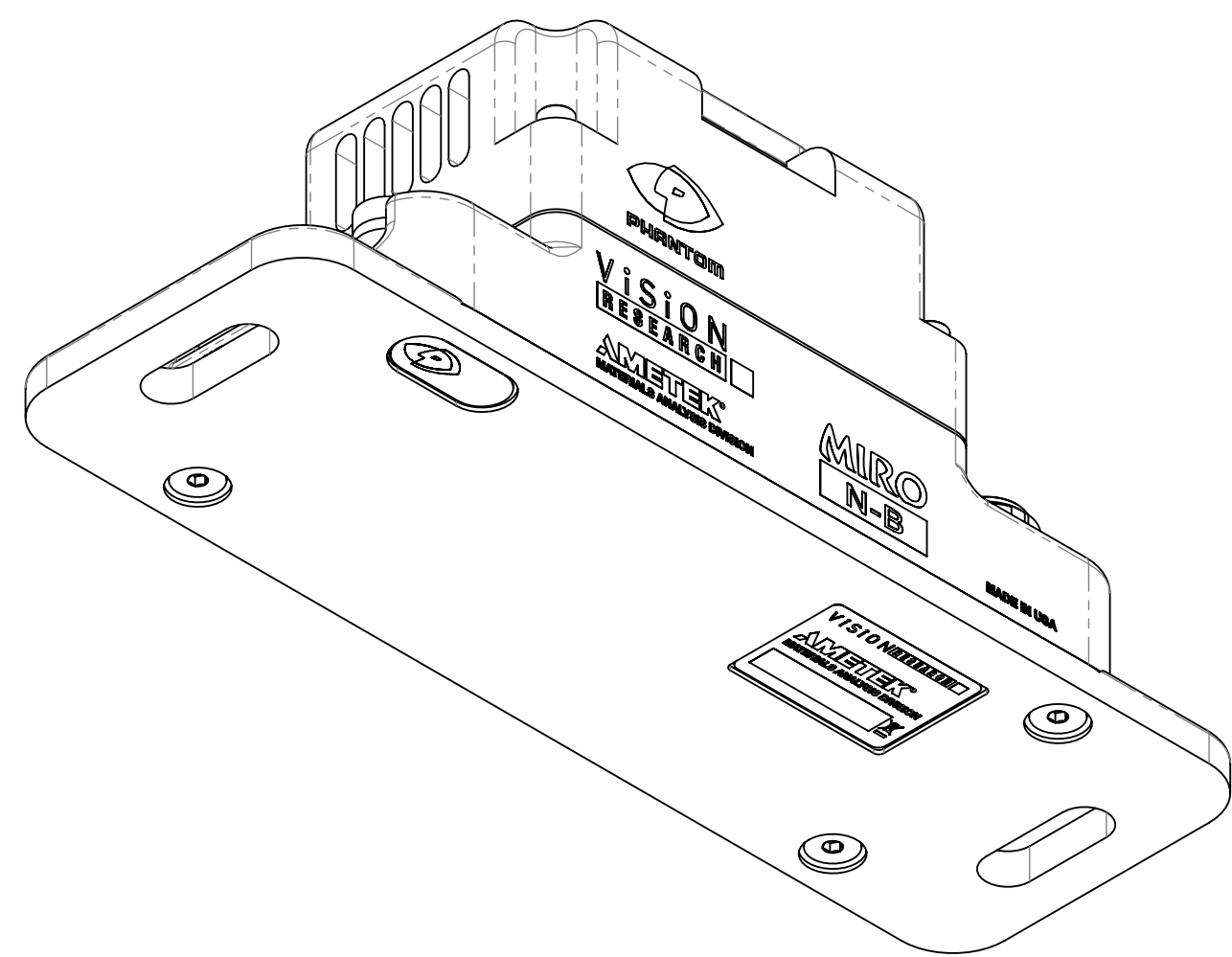
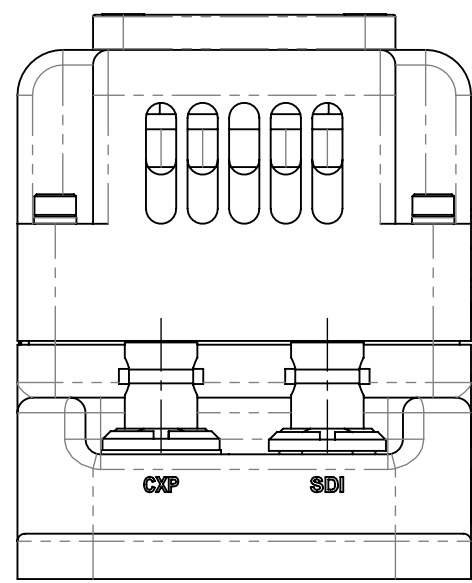
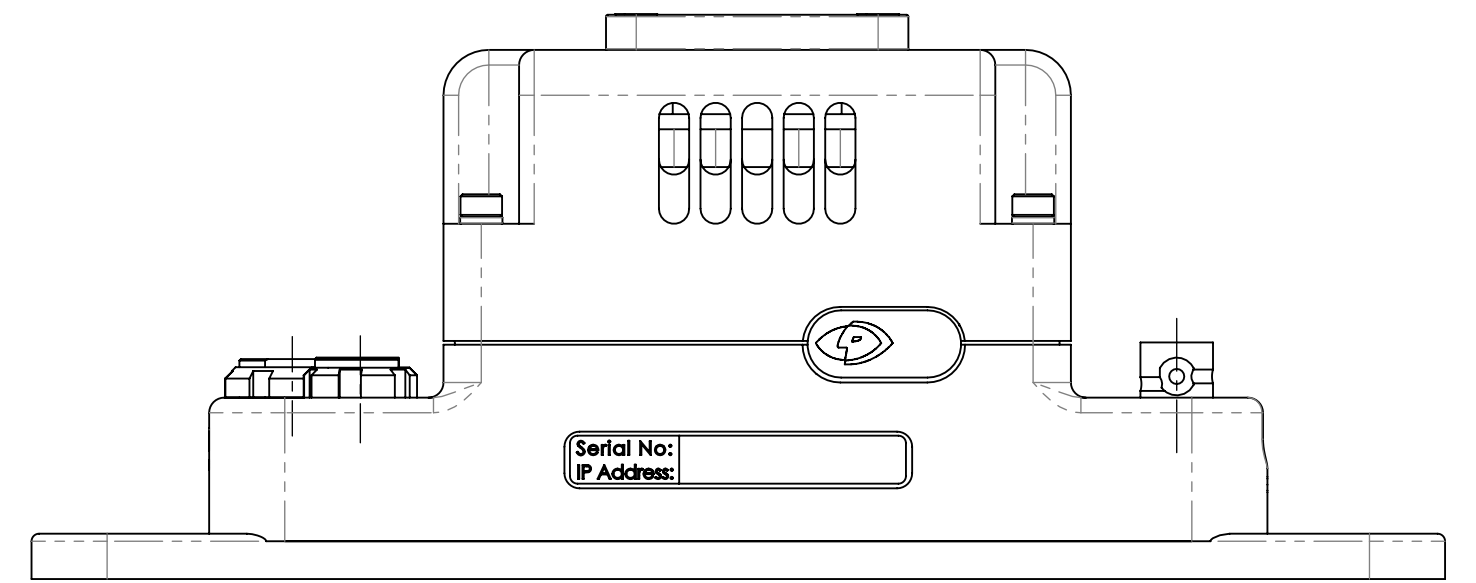
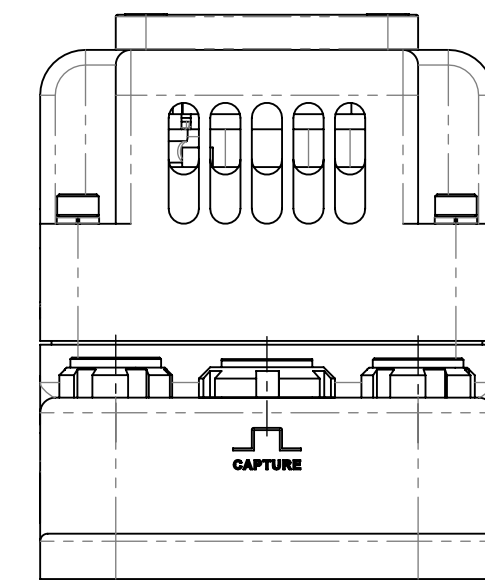
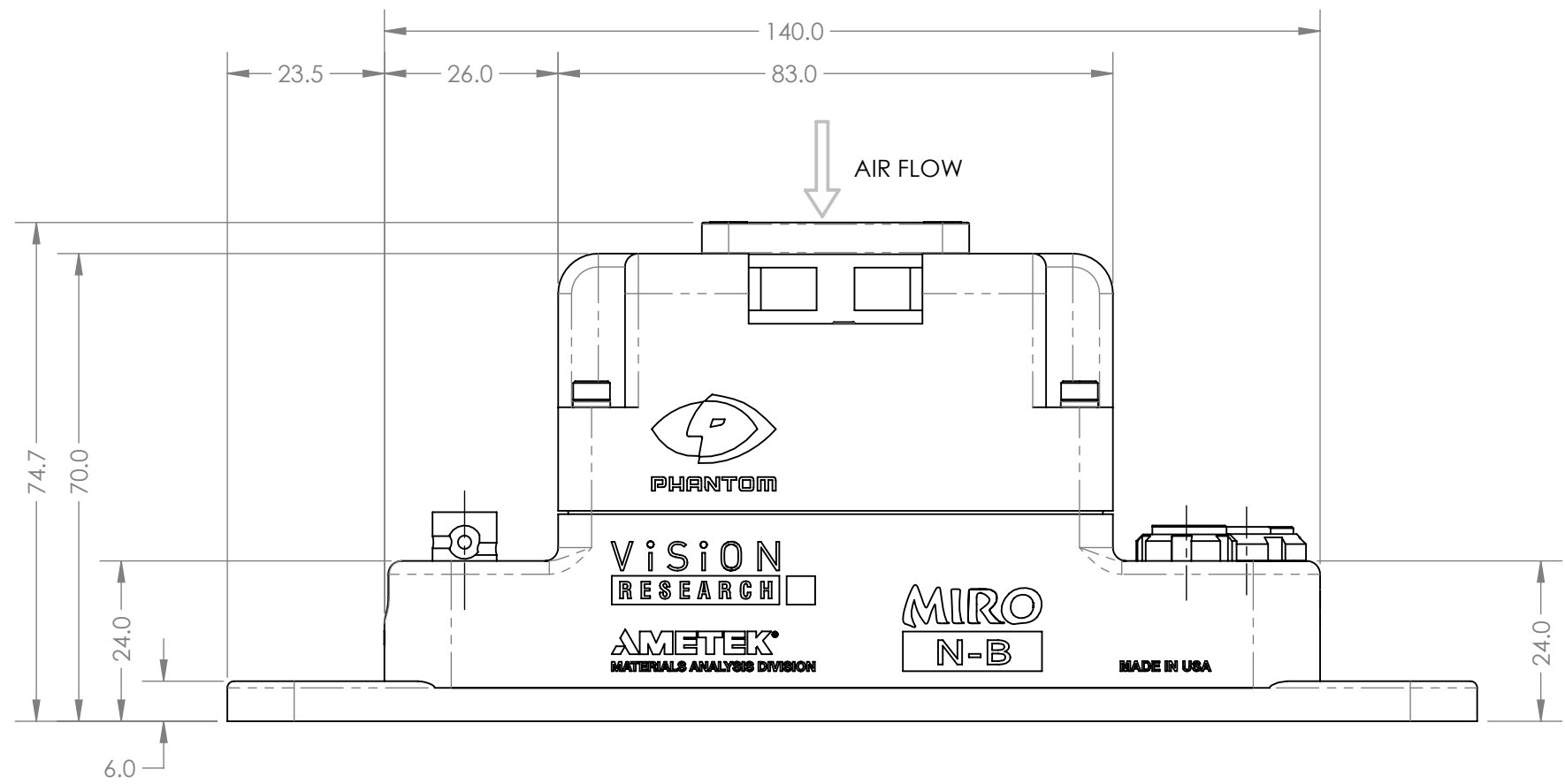
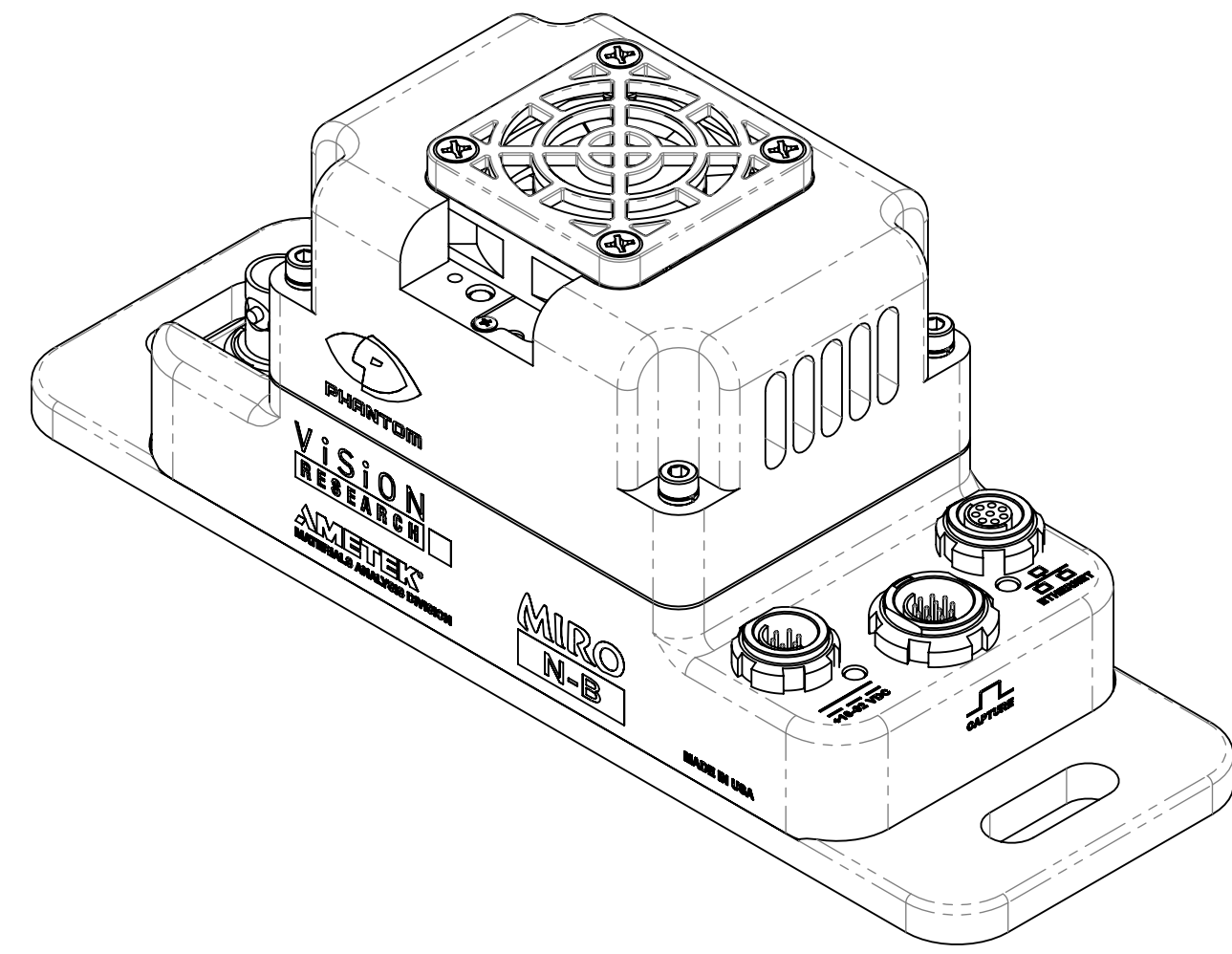
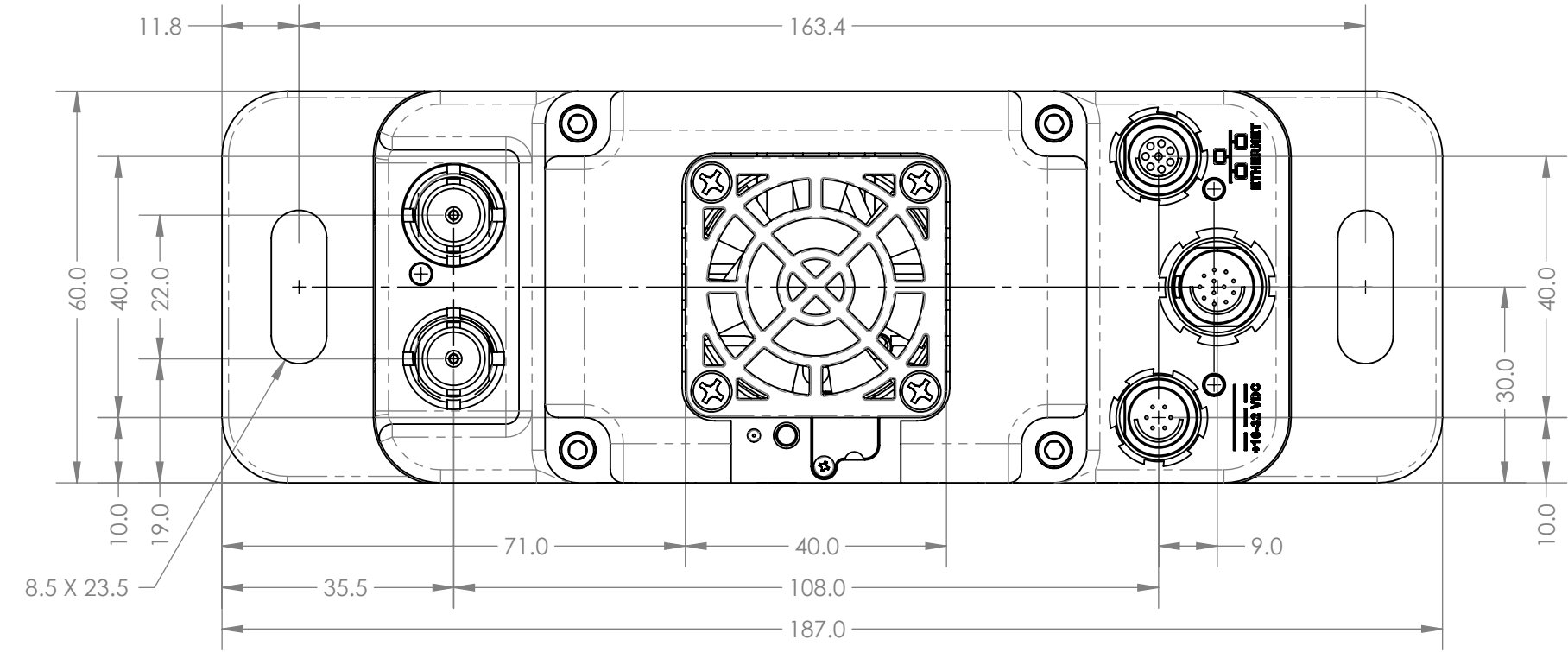
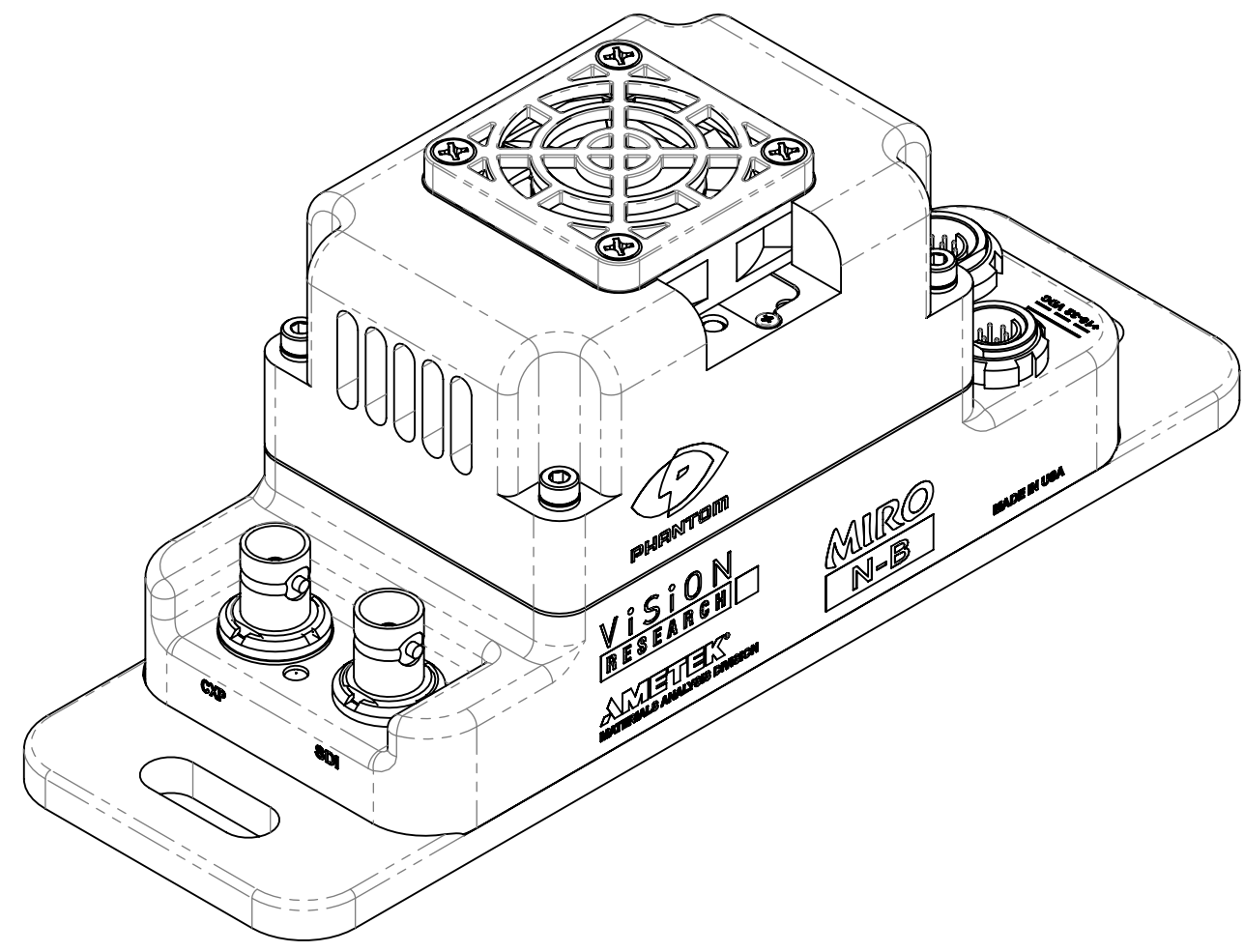


| REVISIONS HISTORY | | | |
|-------------------|-----------------|---------------|----------|
| REV. | DESCRIPTION | DRN BY | APP'D BY |
| 0 | INITIAL RELEASE | B.E. 2/7/2020 | |



PROPRIETARY AND CONFIDENTIAL
 THE INFORMATION CONTAINED IN THIS DRAWING IS THE SOLE PROPERTY OF VISION RESEARCH. ANY REPRODUCTION IN PART OR AS A WHOLE WITHOUT THE WRITTEN PERMISSION OF VISION RESEARCH IS PROHIBITED.

| UNLESS OTHERWISE SPECIFIED: | |
|--|--|
| DIMENSIONS ARE IN MM | |
| TOLERANCES: FRACTIONAL: $\pm 1/64$ ANGULAR: $MACH \pm 0.5$ ONE PLACE: ± 0.25 TWO PLACE: ± 0.13 | |
| INTERPRET GEOMETRIC TOLERANCING PER: MATERIAL | |
| FINISH | |
| DO NOT SCALE DRAWING | |

| NAME | DATE |
|------------|----------|
| DRAWN B.E. | 2/7/2020 |
| CHECKED | |
| ENG APPR. | |
| MFG APPR. | |
| Q.A. | |

VISION RESEARCH
 100 Dey Road
 Wayne, New Jersey 07470 USA
 973-696-4500

TITLE:
CUSTOMER DRAWING, N-B BASE

| | | |
|----------|--------------------|-----|
| SIZE | DWG. NO. | REV |
| D | ZDOC-64106-CD-0008 | 0 |

SCALE 1:1 WEIGHT: SHEET 1 OF 1

