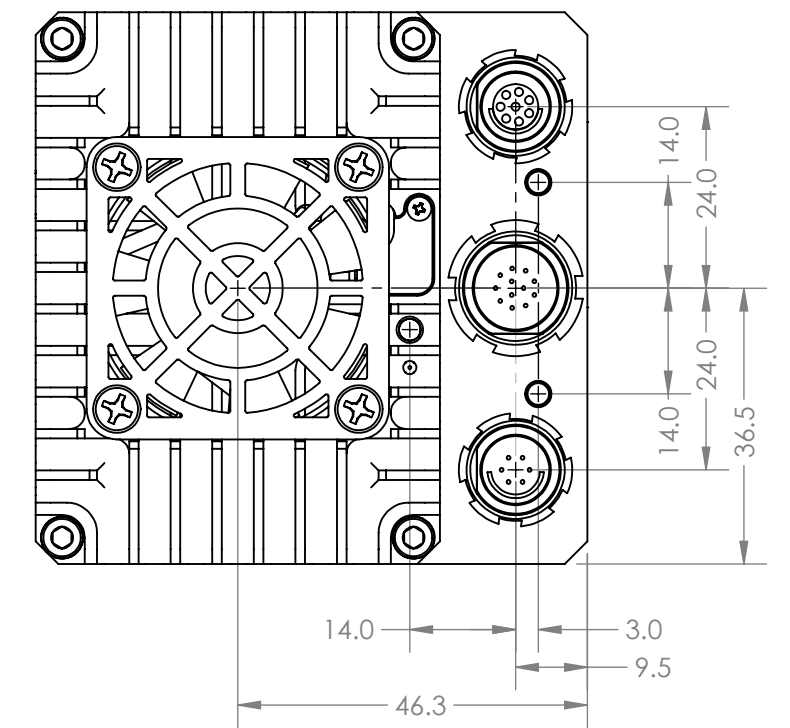
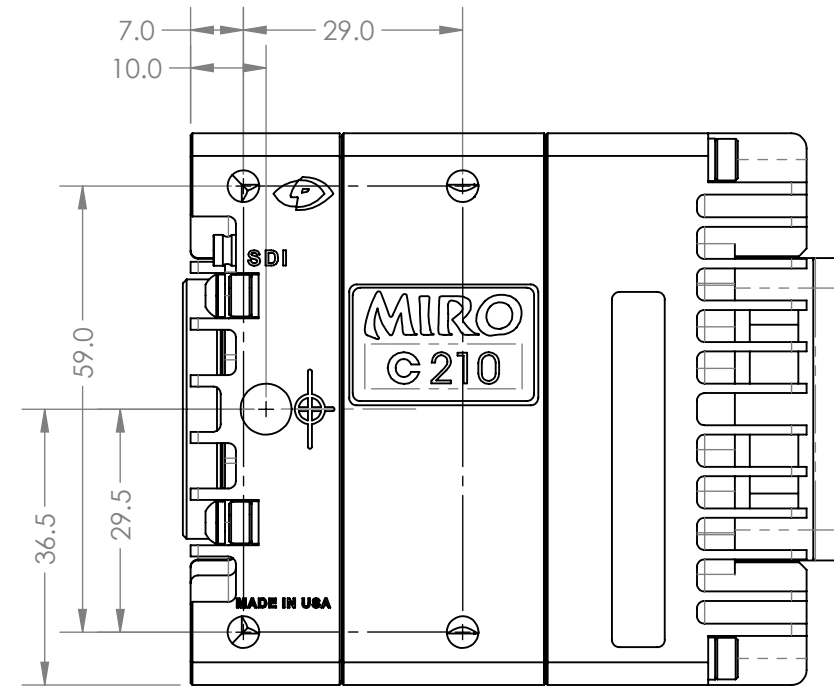
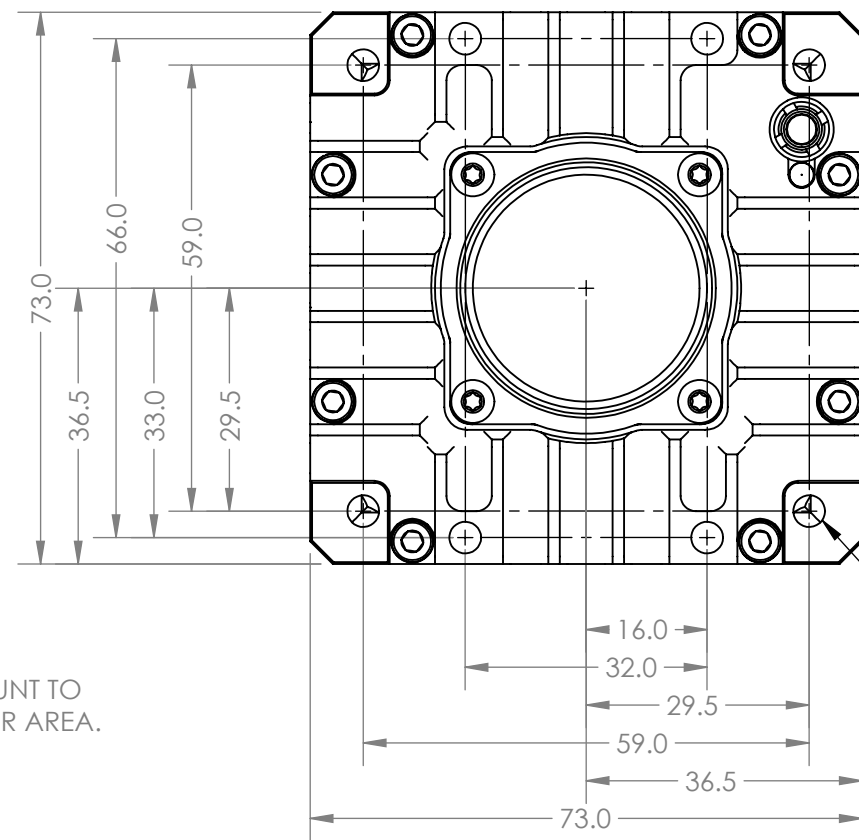
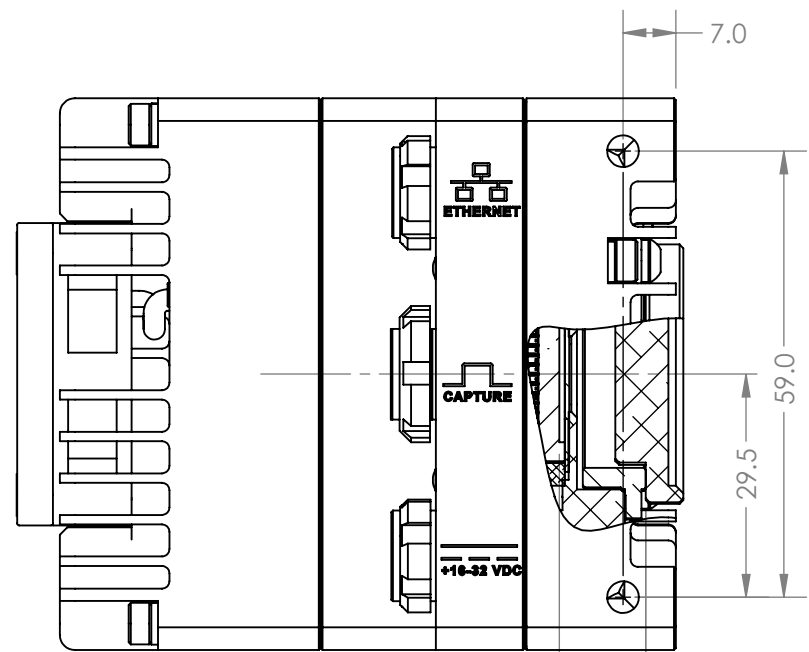
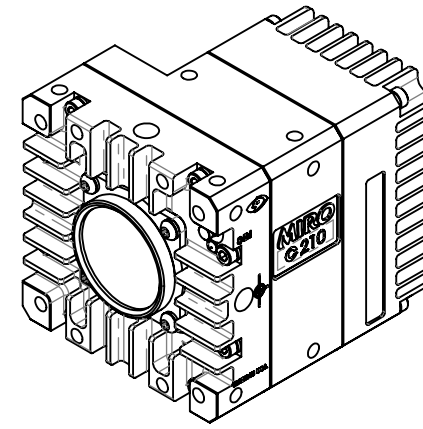
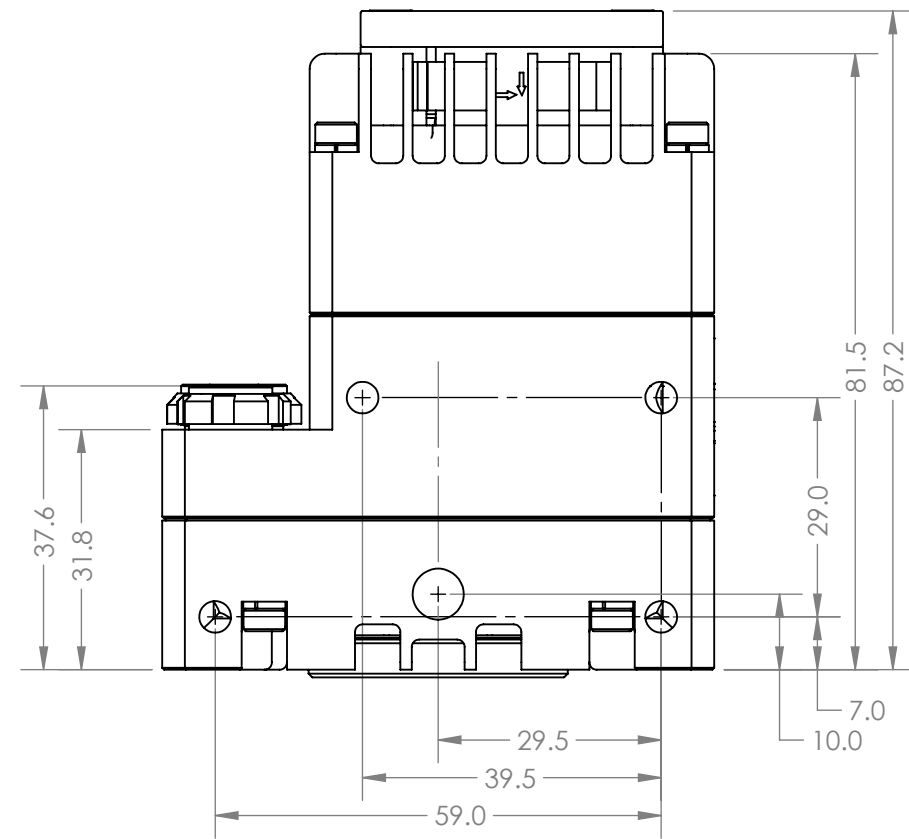
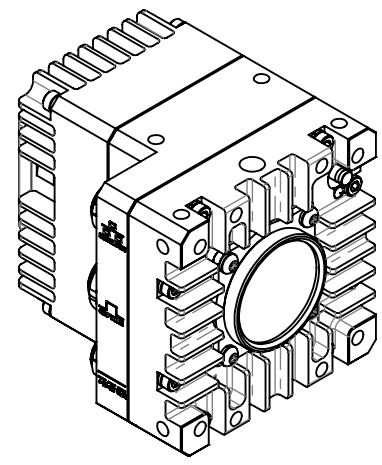
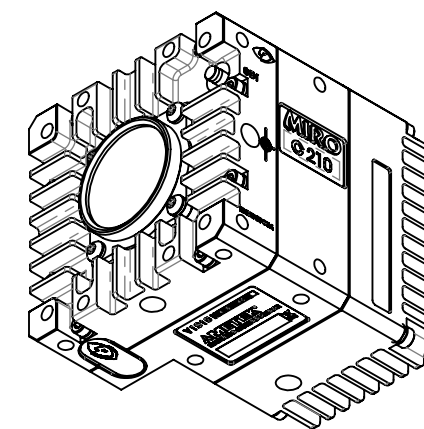
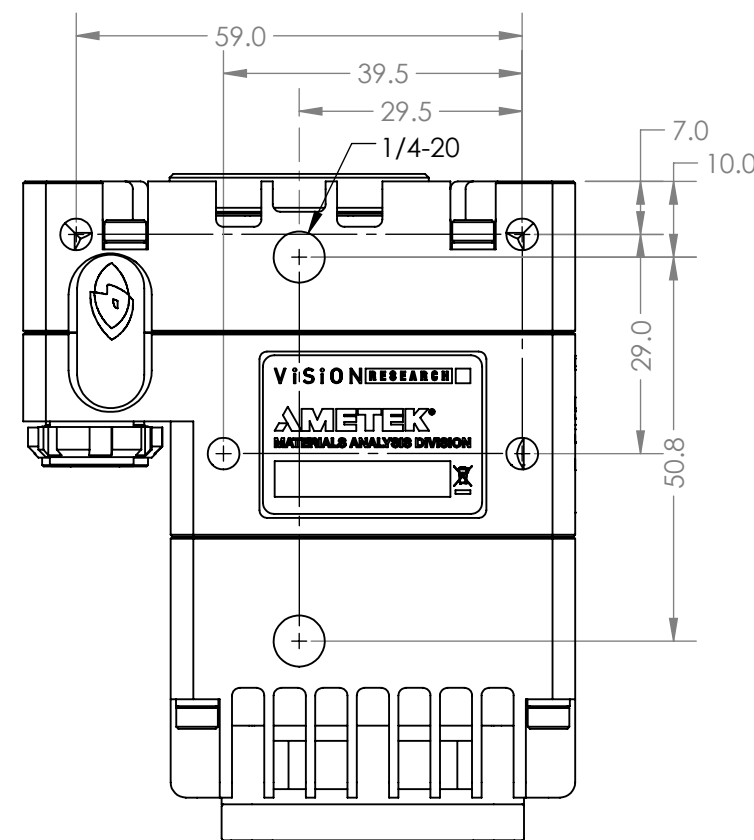
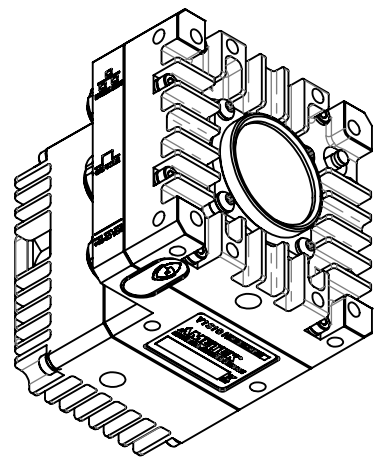


REVISIONS HISTORY			
REV.	DESCRIPTION	DRN BY	APP'D BY
0	INITIAL RELEASE	B.E. 2/17/16	
1	CHANGED FAN GUARD AND DIM. FROM 82.5 TO 87.2	B.E. 8/2/16	



13.3 LENS MOUNT TO ACTIVE SENSOR AREA.

M4x0.7 TYP



PROPRIETARY AND CONFIDENTIAL
 THE INFORMATION CONTAINED IN THIS DRAWING IS THE SOLE PROPERTY OF VISION RESEARCH. ANY REPRODUCTION IN PART OR AS A WHOLE WITHOUT THE WRITTEN PERMISSION OF VISION RESEARCH IS PROHIBITED.

UNLESS OTHERWISE SPECIFIED:
 DIMENSIONS ARE IN MM
 TOLERANCES:
 FRACTIONAL: ±1/64
 ANGULAR: MACH ±0.5
 ONE PLACE ±0.25
 TWO PLACE ±0.13
 INTERPRET GEOMETRIC TOLERANCING PER:
 MATERIAL
 FINISH
 APPLICATION
 DO NOT SCALE DRAWING

NAME	B.E.	DATE	2/17/16
DRAWN			
CHECKED			
ENG APPR.			
MFG APPR.			
Q.A.			

VISION RESEARCH
 100 Dey Road
 Wayne, New Jersey 07470 USA
 973-696-4500
 TITLE:
CUSTOMER DRAWING, C210
 SIZE DWG. NO. REV
C ZDOC-64106-CD-0002 1
 SCALE 1:1 SHEET 1 OF 1

APPLICATION	C210
NEXT ASSY	USED ON