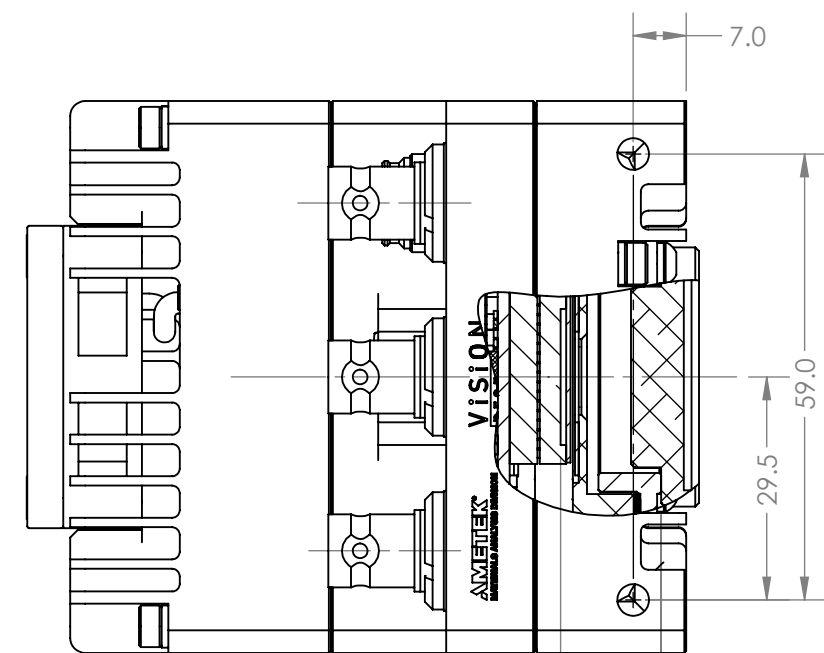
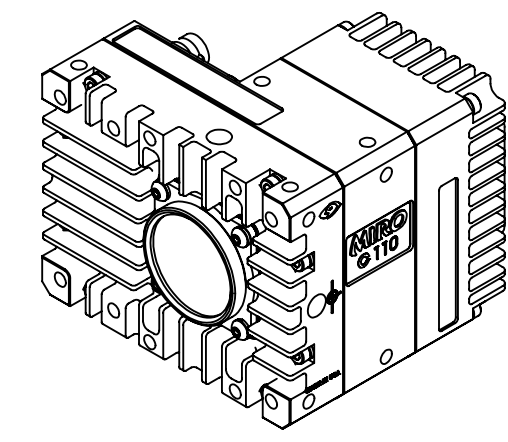
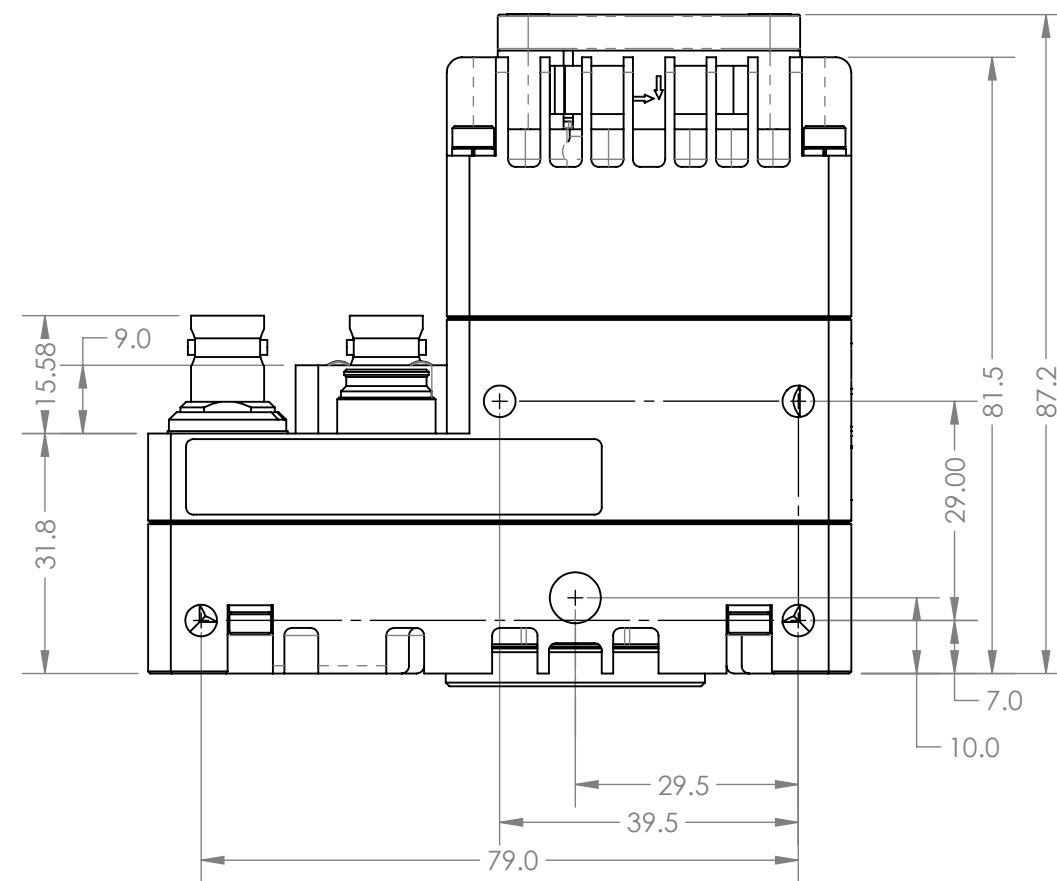
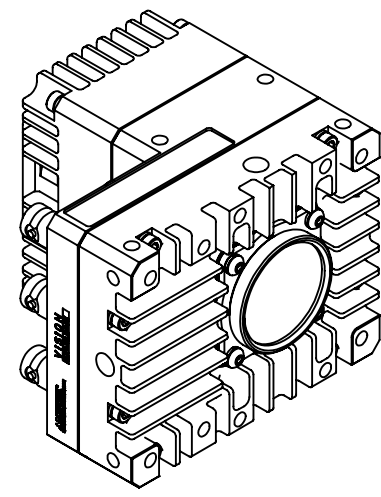
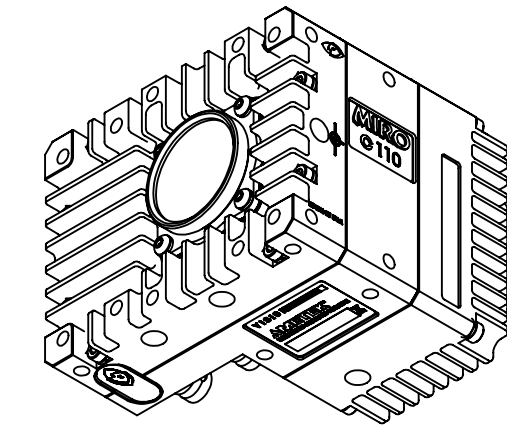
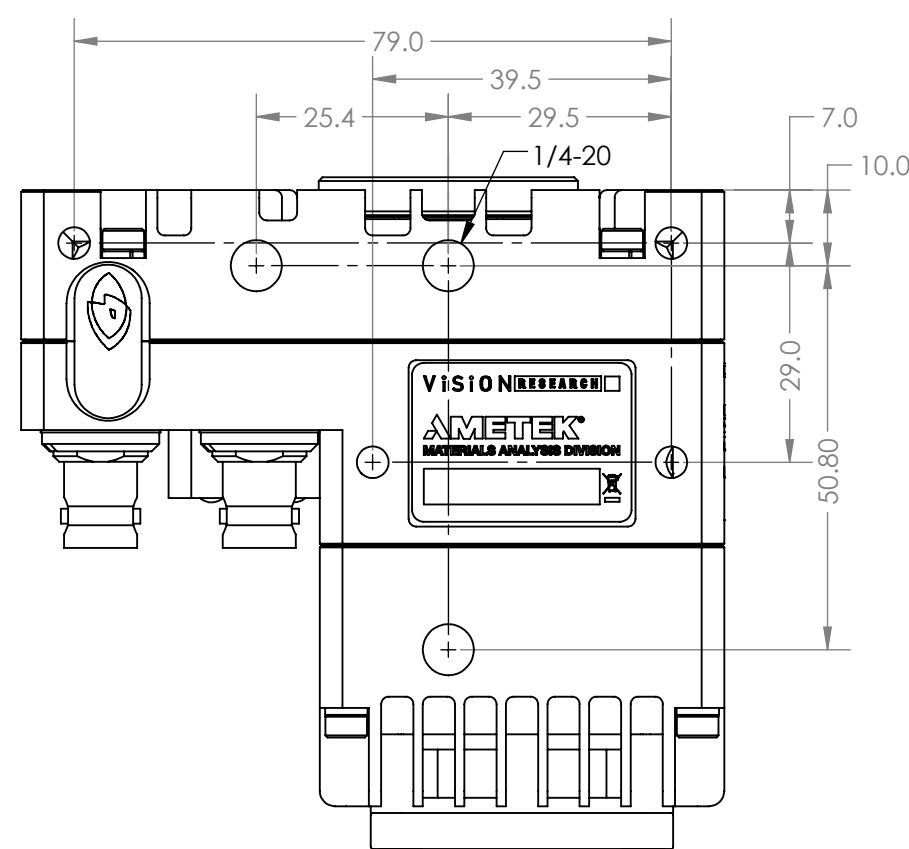
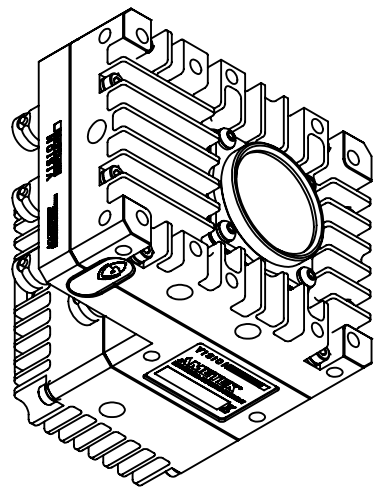
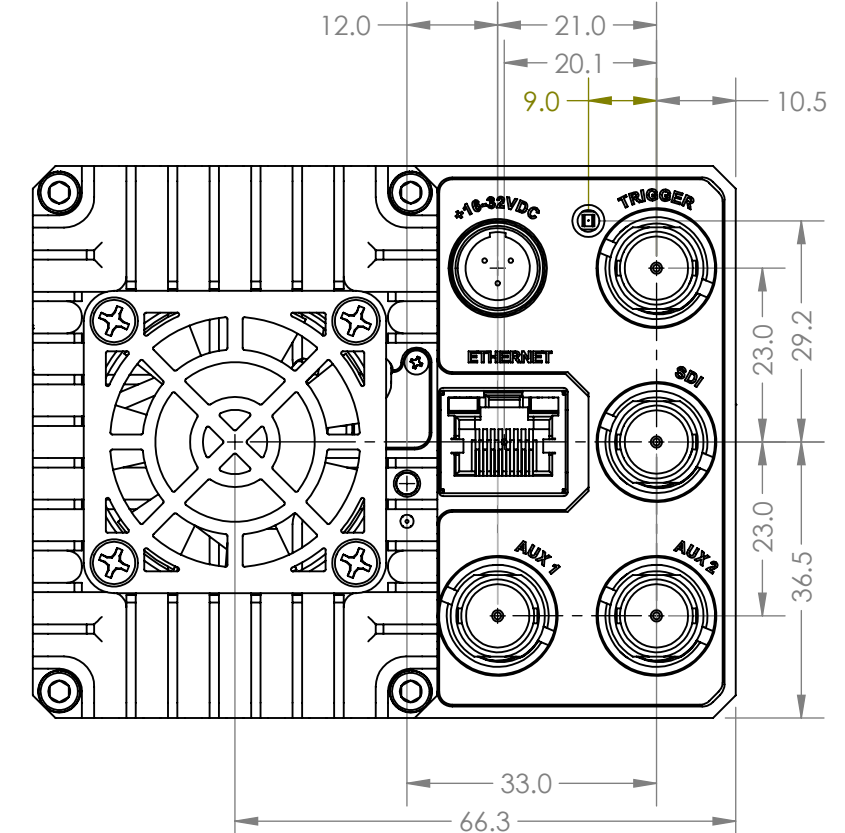
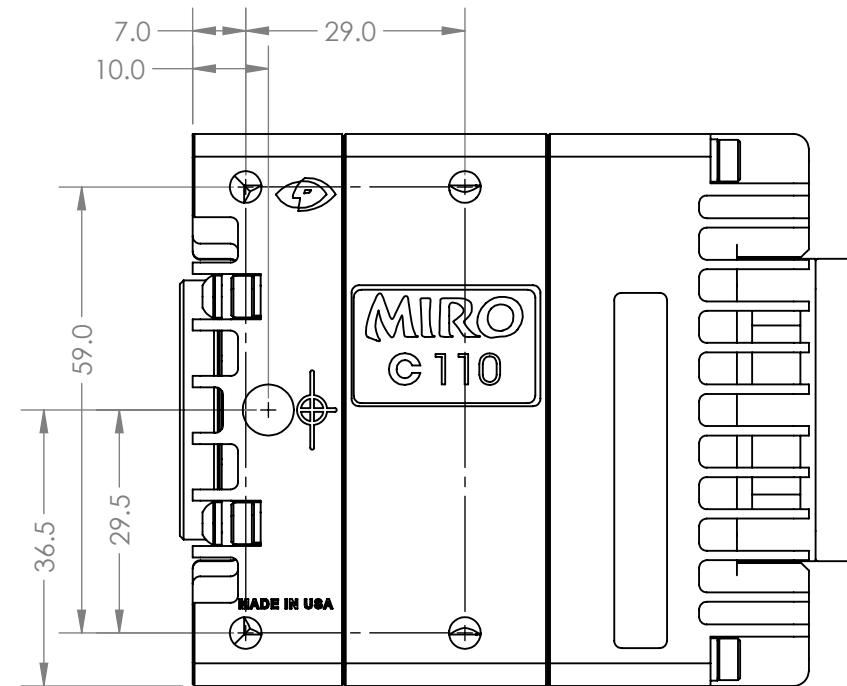
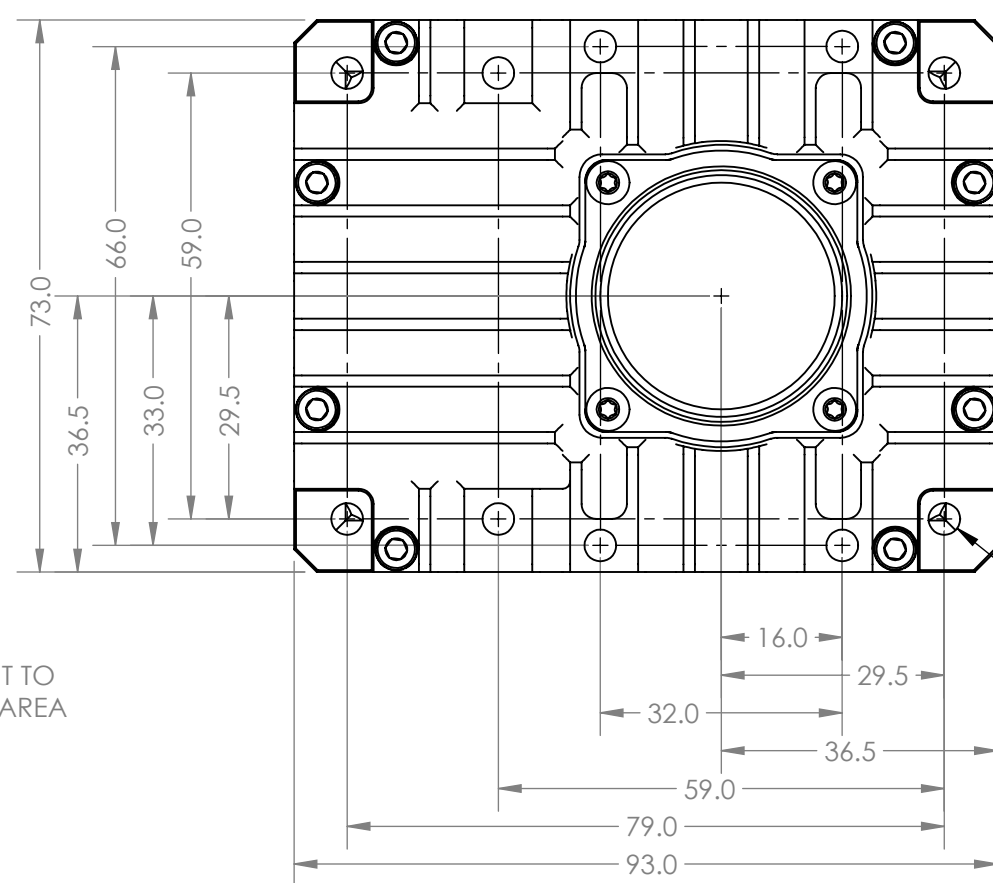


| REVISIONS HISTORY | | | |
|-------------------|--|--------|----------|
| REV. | DESCRIPTION | DRN BY | APP'D BY |
| 0 | INITIAL RELEASE | B.E. | 2/16/16 |
| 1 | CHANGED FAN GUARD AND DIM. FROM 82.5 TO 87.2 | B.E. | 8/2/16 |



13.3 LENS MOUNT TO ACTIVE SENSOR AREA



PROPRIETARY AND CONFIDENTIAL
 THE INFORMATION CONTAINED IN THIS DRAWING IS THE SOLE PROPERTY OF VISION RESEARCH. ANY REPRODUCTION IN PART OR AS A WHOLE WITHOUT THE WRITTEN PERMISSION OF VISION RESEARCH IS PROHIBITED.

| | | |
|--------------------------------------|------|---------|
| UNLESS OTHERWISE SPECIFIED: | NAME | DATE |
| DIMENSIONS ARE IN MM | B.E. | 2/16/16 |
| TOLERANCES: | | |
| FRACTIONAL: ±1/64 | | |
| ANGULAR: MACH ±0.5 | | |
| ONE PLACE: ±0.25 | | |
| TWO PLACE: ±0.13 | | |
| INTERPRET GEOMETRIC TOLERANCING PER: | | |
| MATERIAL | | |
| FINISH | | |
| DO NOT SCALE DRAWING | | |

VISION RESEARCH
 100 Dey Road
 Wayne, New Jersey 07470 USA
 973-696-4500

TITLE:
CUSTOMER DRAWING, C110

SIZE DWG. NO. REV
C ZDOC-64106-CD-0001 1

SCALE 1:1 SHEET 1 OF 1

