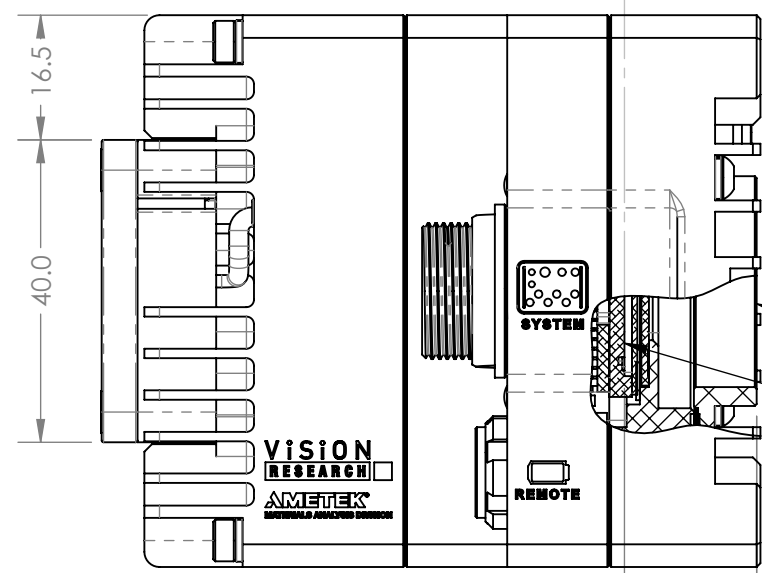
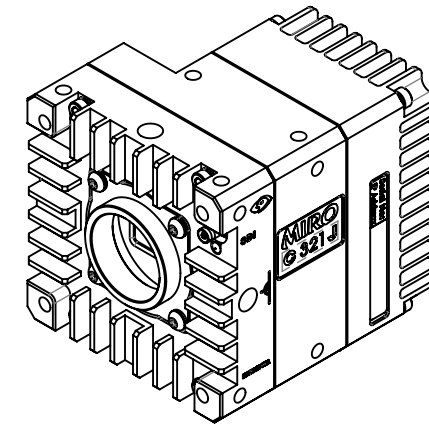
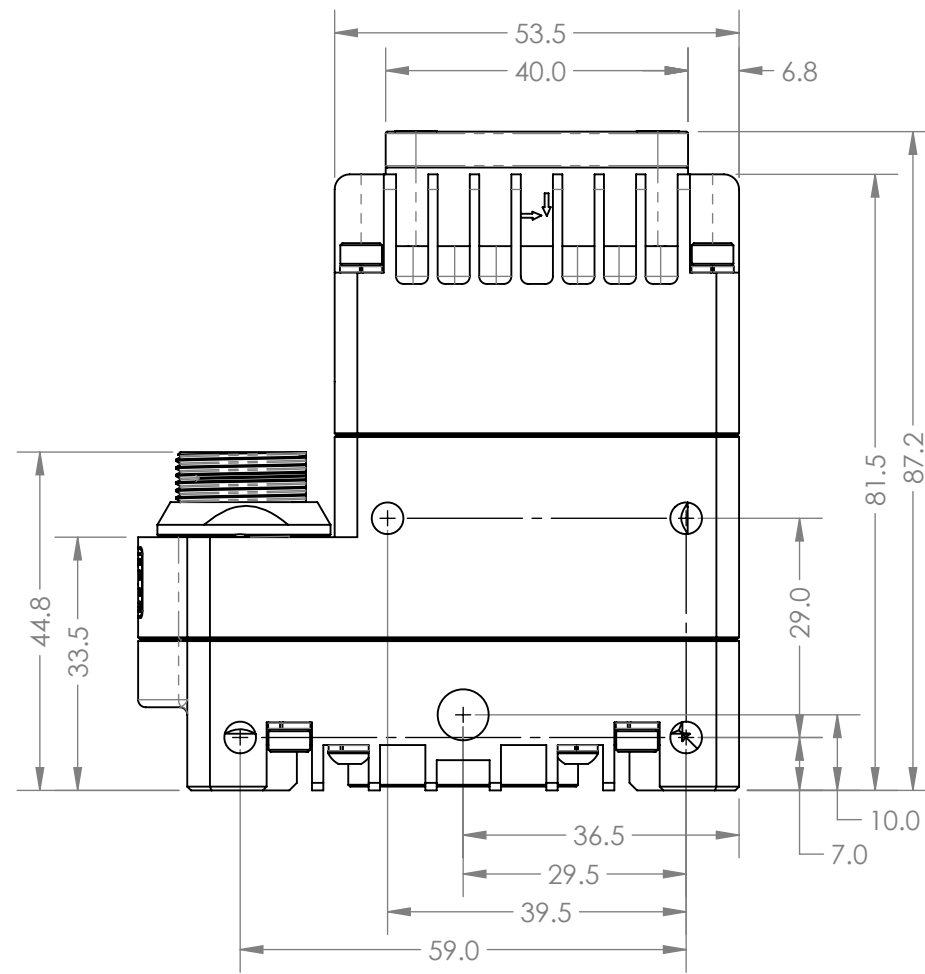
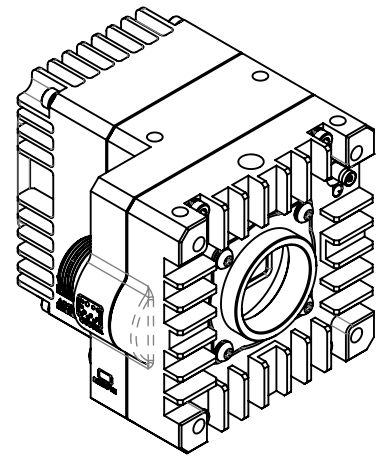
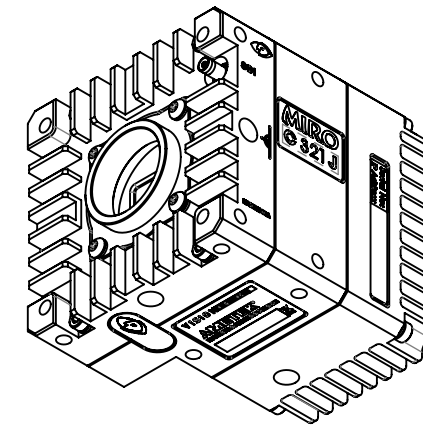
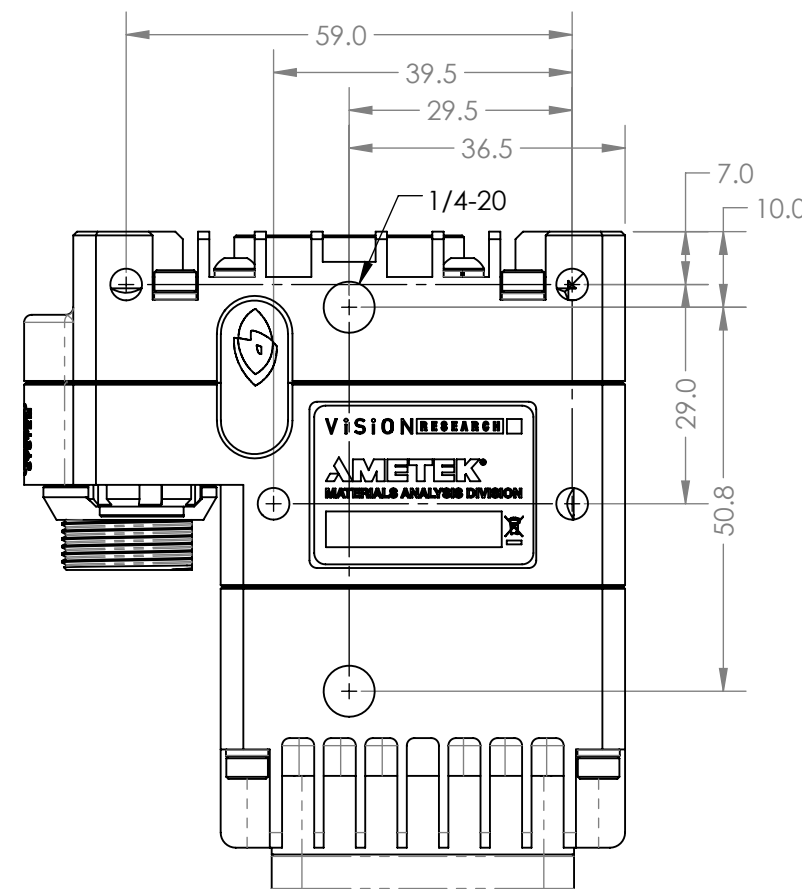
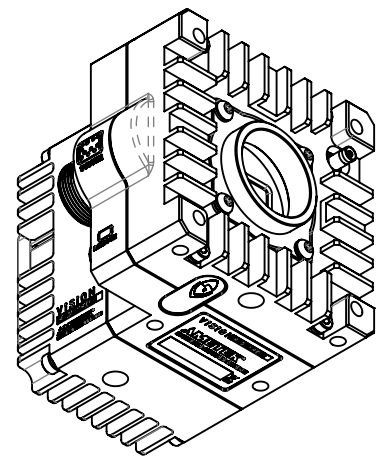
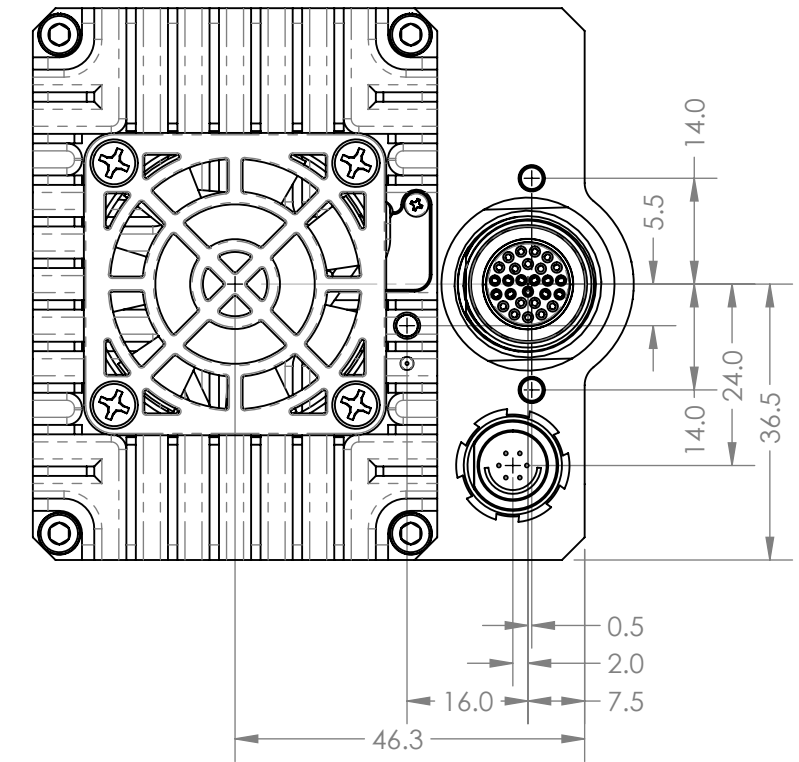
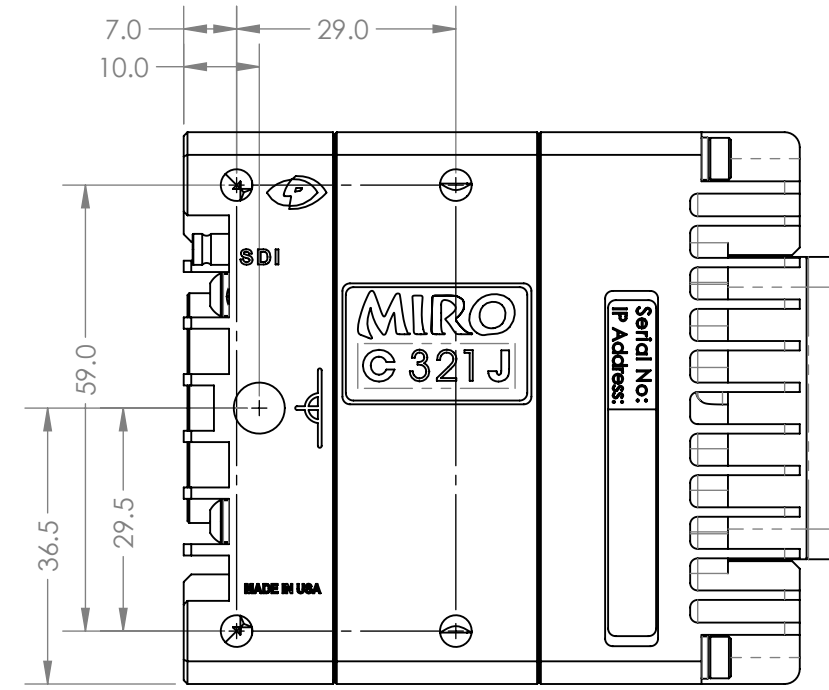
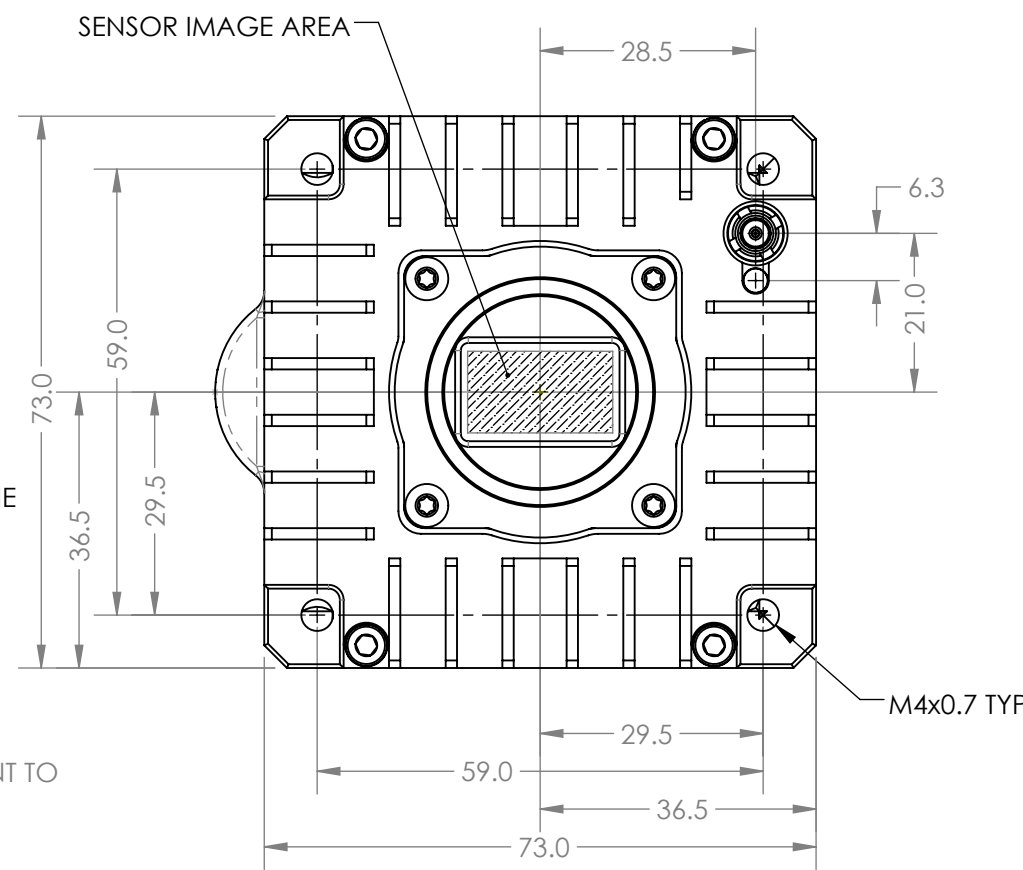


REVISIONS HISTORY			
REV.	DESCRIPTION	DRN BY	APP'D BY
0	INITIAL RELEASE	B.E. 4/2/19	
1	UPDATED TO REFLECT CHANGE IN SENSOR POSITION	B.E. 5/28/19	
2	ADDED M4 MOUNTING HOLE 6 PLACE	B.E. 7/31/19	
3	UPDATED TO C321J CAMERA MODEL PER ECO 20220407-04	B.E. 4/7/2022	



LENS MOUNT  
 SENSOR IMAGE PLANE  
 0.5  
 17.50±0.01 LENS MOUNT TO ACTIVE SENSOR AREA



**PROPRIETARY AND CONFIDENTIAL**  
 THE INFORMATION CONTAINED IN THIS DRAWING IS THE SOLE PROPERTY OF VISION RESEARCH. ANY REPRODUCTION IN PART OR AS A WHOLE WITHOUT THE WRITTEN PERMISSION OF VISION RESEARCH IS PROHIBITED.

UNLESS OTHERWISE SPECIFIED:	NAME	DATE
DIMENSIONS ARE IN MM	B.E.	4/2/19
TOLERANCES:		
FRACTIONAL ±1/64		
ANGULAR: MACH ±0.5		
ONE PLACE ±0.25		
TWO PLACE ±0.13		
INTERPRET GEOMETRIC TOLERANCING PER:	ENG APPR.	
MATERIAL	MFG APPR.	
FINISH	Q.A.	
APPLICATION		
C320J		
NEXT ASSY USED ON		
DO NOT SCALE DRAWING		

DRAWN	B.E.	4/2/19
CHECKED		
ENG APPR.		
MFG APPR.		
Q.A.		

**VISION RESEARCH**  
 100 Dey Road  
 Wayne, New Jersey 07470 USA  
 973-696-4500

TITLE:  
**CUSTOMER DRAWING, C320J/321J**

SIZE DWG. NO. REV  
**C ZDOC-64106-CD-0015 3**

SCALE 1:1 SHEET 1 OF 1